

Certified LED Lights®

Product Data Sheet
Retrofit Downlight



Product Overview

The 5CCT LED Downlight Retrofit Kit is engineered with advanced DOB (Driver-on-Board) solution technology, integrating the LED light source and driver into a compact, efficient design that enhances thermal management and long-term performance. Its classic low-profile construction allows for seamless installation in shallow ceiling spaces while maintaining a clean, modern aesthetic.

Designed and tested for damp locations, this downlight is suitable for a wide range of applications, including new construction, retrofit projects, and remodeling installations in soffits, eaves, and shower areas. The selectable 5CCT feature provides flexibility in color temperature selection, enabling users to customize the lighting ambiance to meet specific residential or light commercial needs. This fixture delivers consistent lumen output with high energy efficiency and minimal maintenance requirements.

Ideal for use in bedrooms, kitchens, bathrooms, living rooms, garages, basements, patios, porches, closets, and other interior or semi-exterior spaces, the unit ensures reliable performance across diverse environments. The product is supported by a comprehensive 5-year warranty, reflecting its durability, quality, and long service life.

An independent laboratory tests our lights and LED components to ensure they meet the IESNA LM-79 and LM-80 standards. LED color temperature is warranted to shift no more than 180K over the standard warranty period. Correlated Color Temperature (CCT) follows the guidelines set forth in the American National Standard for Specifications for the Chromaticity of Solid State Lighting (SSL) Products, ANSI C78.377-2017.

Applications



Garages



Homes



General area



Stairs

- * CCT: 5 color temperature selectable in the field
- * ETL listed for damp location
- * Title 24 - JA8-2022-E
- * 71 to 82 lumens per watt (4 inch)
- * 68 to 79 lumens per watt (6 inch)
- * Long-life LEDs provide 50,000 hours of operation
- * 120V input is standard.
- * Triac dimming capability is standard. Compatible with most triac dimmers to give user a smooth 100%-5%
- * Damp-location rated, for new and old construction, remodels, soffit, eaves, shower, etc.
- * Baffle/Smooth Trim

Product Warranty



Highlights and Certifications



ETL Listed



Wet Location



JA8 California Title 24



Triac Dimming down to 5%



Field selectable CCT 5-way switch: 27K, 3K, 35K, 4K 5K

Key Specifications

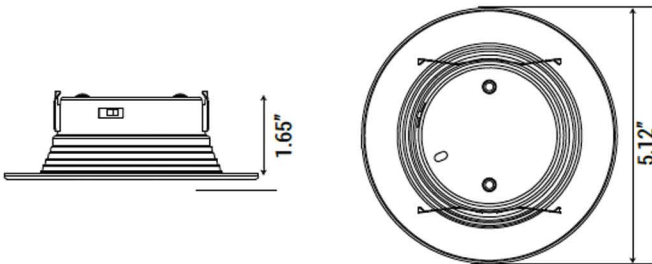
- * CCT: color temperature selectable 27K, 3K, 35K, 4K, 5K
- * Operating temperatures from -4°F to 113°F
- * Storage temperature from -4° F to 158°F
- * Power factor > 0.90
- * THD < 20%
- * CRI > 90
- * Viewing angle: 100 degrees
- * Retrofits in existing incandescent can housing
- * Easy installation with universal E26 connectors. Fits 4", 6" compatible housings. E26 screw base adapter connects directly to standard socket
- * Compatible with insulated, non-insulated and air-tight ceilings.

Performance

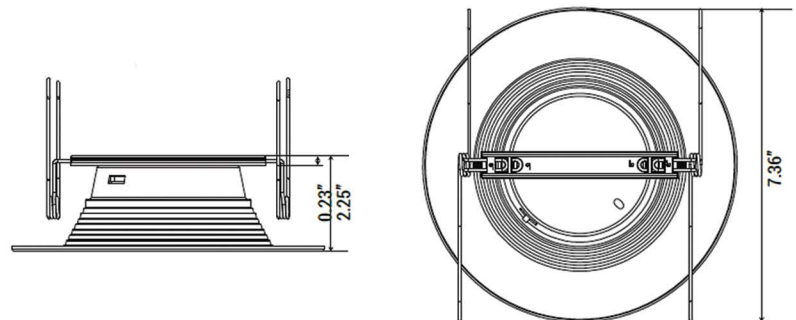
10 Watts		4HVCT10LRWH					15 Watts		6HVCT15LRWH				
Color		2700	3000	3500	4000	5000	Color		2700	3000	3500	4000	5000
Lumens		768	765	820	909	908	Lumens		1,011	1,012	1,138	1,245	1,236
Lumens / Watt		71.57	75.26	81.21	82.63	78.97	Lumens / Watt		67.49	73.91	78.80	79.27	74.44

Dimensions

4" Retrofit Downlight



6" Retrofit Downlight



Other Characteristics

4" Retrofit Downlight

6" Retrofit Downlight



Selectable CCT
2700K, 3000K, 3500K, 4000K, 5000K



Ordering Guide

Model #	PART #	Kelvin selectable	Lumens	Energy used
4" Triac Dimmable	4HVCT10LRWH	27K, 3K, 35K, 4K, 5K	768 TO 909 Lm	10W
6" Triac Dimmable	6HVCT15LRWH	27K, 3K, 35K, 4K, 5K	1011 to 1245Lm	15W

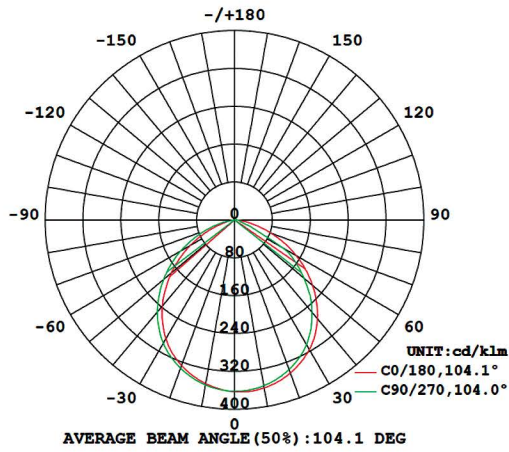
Notes:

- 4HVCT means 4" Retrofit Downlight ; 6HVCT means 6" Retrofit Downlight
- 10, 15 means 10, 15 watts
- UR is model type
- WH means white

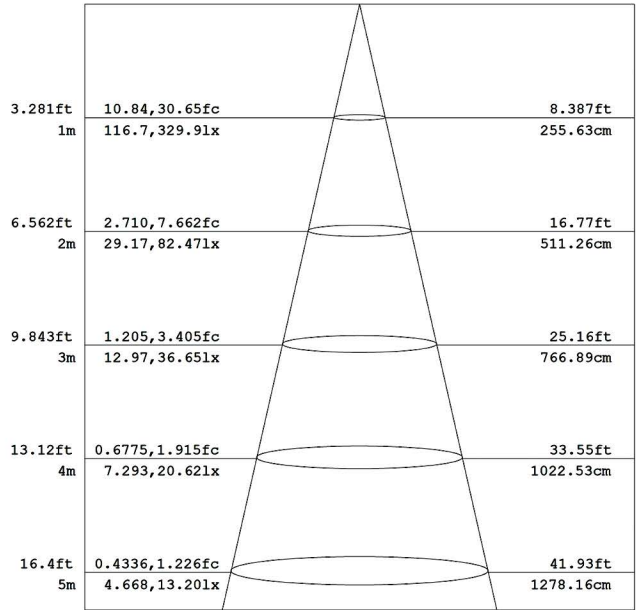
Photometric Data

4" Retrofit Downlight

LUMINOUS INTENSITY DISTRIBUTION DIAGRAM



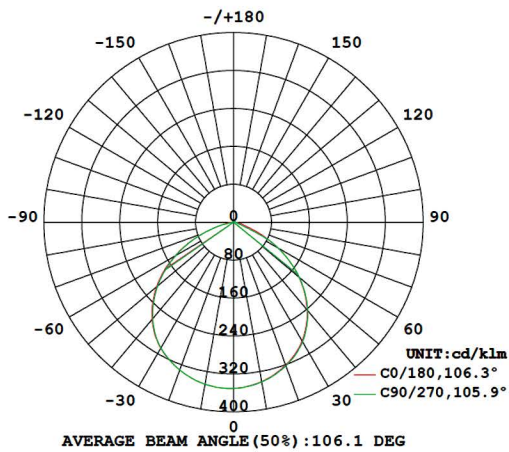
Flux out:600.6 lm



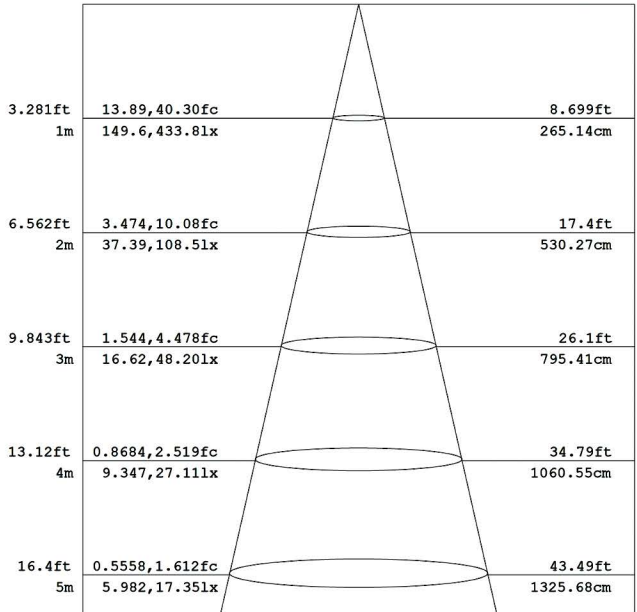
Note: The Curves indicate the illuminated area and the average illumination when the luminaire is at different distance.

6" Retrofit Downlight

LUMINOUS INTENSITY DISTRIBUTION DIAGRAM



Flux out:827.4 lm



Note: The Curves indicate the illuminated area and the average illumination when the luminaire is at different distance.