

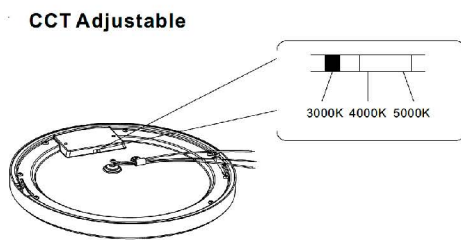


**APPLICATIONS**

This integrated 7" and 12" LED surface mount down light is a ultra-thin sleek fixture with smooth white trim. It can be installed directly to most round or octagon junction boxes. Designed for commercial or residential use. CCT can be adjusted in the field to suit different environment needs.

**FEATURES**

- \* 3 CCT Selectable: 3000K,4000K,5000K
- \* Wattage: 15W (7") ; 24W (12")
- \* 120VAC 60Hz
- \* Triac dimmable
- \* Beam angle: 120 degrees
- \* Protection rating: IP20 for indoor use only
- \* CRI: > 80
- \* Power factor: 0.9
- \* Finish: white



**ORDERING INFORMATION**

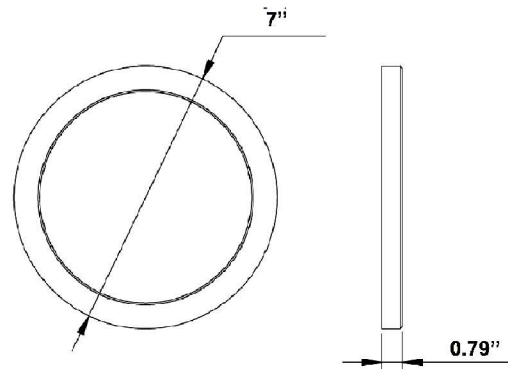
Part #	LUMENS	WATTAGE	COLOR TEMP SELECTABLE	VOLTAGE
DTH-SMD-R7-3CCT	1040	15W	3k, 4k, 5k	AC 120 VAC-60Hz
DTH-SMD-R12-3CCT	1815	24W	3k, 4k, 5k	AC 120 VAC-60Hz



**WARRANTY & DETAILS**

- \* ETL listed
- \* Working temperature: -4 F to 105 F
- \* 5 year warranty

**DIMENSIONS**



**PHOTOMETRIC DATA**

