

CLL-TWP-100W-CCT

TRADITIONAL LED WALL PACK



STANDARD



APPLICATIONS

CLL-TWP is a series of premium, rugged, durable LED wall packs, which are perfect for outdoor perimeter and area lighting. With a die cast aluminum housing and a glass lens, the CLL-TWP will stand up to many years of punishing environmental conditions. High-efficacy, long-life LEDs provide both energy and maintenance cost savings compared to traditional, MH / HID wall packs. These wall packs come standard with a Kelvin selectable switch located inside allowing users to switch between 4000K and 5000K.

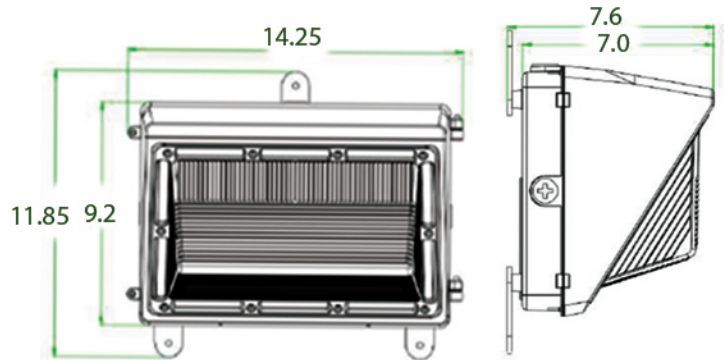
FEATURES

- * Tunable CCT 4K and 5K
- * 130 Lumen/watt - 13,000 LU
- * ZC Driver - Sanan LED
- * Long-life LEDs provide 50,000 hours of operation
- * Universal 120-277 AC voltage (50-60Hz) is standard
- * Power factor > 0.90
- * Working temperature : -4 F - 113 F
- * Beam Angle: 110 degrees
- * Color rendering index > 80
- * Die cast aluminum housing with dark bronze, powder coat paint
- * Glass lens
- * Easy installation in new construction or retrofit
- * Exterior mounting tabs ensure secure installation without compromising wet location integrity.

WARRANTY & DETAILS

- * ETL Listed
- * DLC Listed
- * IP 65 rated sealed with silicone ring
- * Complies with RoHS (Restriction on Hazardous Substances) requirements
- * 5-year warranty on all electronics and housing

DIMENSIONS



ORDERING INFORMATION

PART #	ColorTemp	Lumens	Lumens/watt	Watt	Options (order separately)
CLL-TWP-100W-CCT	CCT 4K/5K	13,000	130	100	Photocell: CLL-SWTCHPC-277V Full glare shield: CLL-TWP-FGS

CLL-TWP-100W-CCT

TRADITIONAL LED WALL PACK

Part No	CLL-TWP-100W-CCT
Luminous flux	130 LM /W (CCT=5000k) 5%
Luminous flux	13,000 LM (CCT=5000K) 5%
Color temp	CCT
Beam Angle	110°
CRI	> 80 Ra
Power Frequency	50 / 60 Hz
Input Voltage	AC120- 277 V
Total Harmonic Distortion	< 15%

Power factor	> 0.90
System Power Consumption	100W +/- 5W
Ingress Protection	IP 66
Fixture Material	Die cast aluminum alloy
Fixture Material	Glass lens
Life Span	>50,000 Hrs
Storage Temperature	-40°F to 190°F
Operating Temperature	-4°F to 113°F
Net Weight	6.27 Lbs

PHOTOMETRIC DATA

