



STANDARD



APPLICATIONS

This contemporary Bollard adds a modern look to any pathway. This fixture is available with an integrated LED. Its industrial strength features make it DLC premium and UL Listed and suitable for wet locations. This bollard comes with a changeable CCT allowing for 3K, 4K or 5K settings. This bollard is designed for surface mount applications. All mounting hardware: template and anchor bolts are included.

FEATURES

- * CCT Selectable : 35K, 4K, 5K
- * Wattage: 24W
- * 0-10v Dimming
- * Lumens/watt: 130 - 3,120 Lumens
- * Lumileds 2835 Chips
- * UL driver
- * Universal 120-277 AC voltage (50-60Hz) is standard
- * Total harmonic distortion < 20%
- * Lighting angle: 120 degrees
- * Color rendering index > 80
- * Operating temperatures from -40 F to 104 F



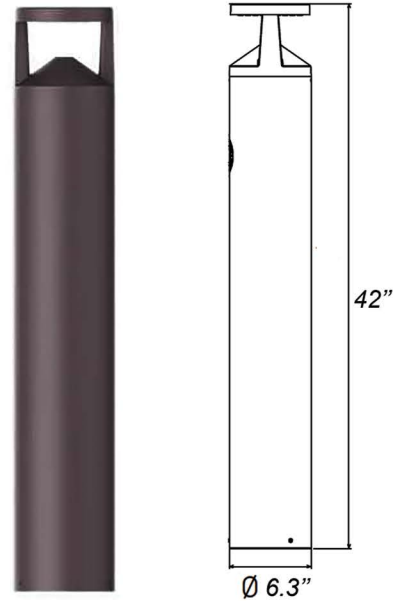
CCT temperature selectable switch

HOUSING

- * Heavy die-cast aluminum alloy housing with dark bronze powder-coated finish
- * Round appearance for good decorative effect, sized in 3.5ft height Dark bronze polyester powder-coat finish
- * Robust ground cage pre-buried installation.

ORDERING INFORMATION

PART #	LUMENS PER WATT	LUMENS	WATTS	CCT
DTH-BR01R-4L-CCT	130	3120	24	3K, 4K, 5K



WARRANTY & DETAILS

- * UL Listed
- * DLC Premium listed
- * 5-year warranty

OTHER FEATURES



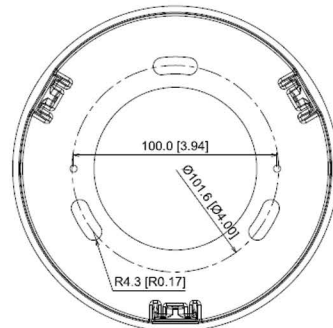
Round shape



Anchor bolts install

ANCHOR BOLT TEMPLATE

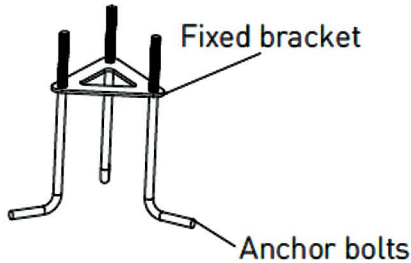
Drawing not to scale



INSTALLATION

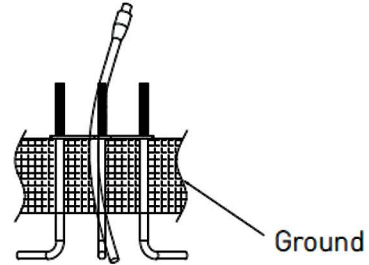
Step 1:

The anchor bolts are installed on the fixed bracket



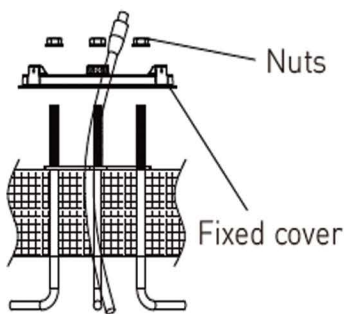
Step 2:

Install the anchor bolts and bury them into the ground, and lead out to the terminals



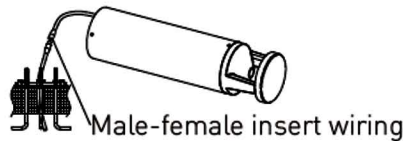
Step 3:

Mount the fixed cover on the anchor bolts with nuts



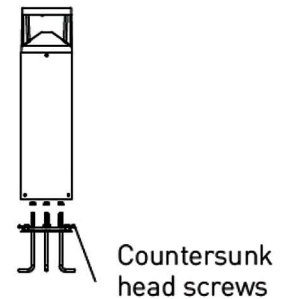
Step 4:

Male-female inser wiring

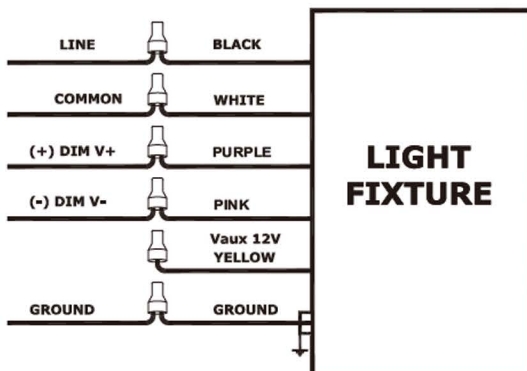


Step 5:

Countersunk head screws to mount the bollard base



WIRING



ON-OFF WIRING

Universal voltage driver permits operation at 120V thru 277V, 50 or 60 Hz. For 0-10V Dimming, follow the wiring directions.

1. Connect the black fixture lead to the LINE supply lead.
2. Connect the white fixture lead to the COMMON supply lead.
3. Connect the GROUND wire from fixture to supply ground. Do NOT connect the GROUND of the dimming fixture to the output.
4. Connect the purple fixture lead to the (V+) DIM lead.
5. Connect the pink fixture lead to the (V-) DIM lead.
6. Cap the yellow fixture lead, if present. Do NOT connect.