

D-TEC LED



Powered By
Certified LED Lights



2024

ABOUT US



D-TEC LED Lighting Supplies is an LED supplier of top quality commercial grade LED lighting fixtures with manufacturing partners at the highest levels. We engineer and source our products at the top of the supply chain and cut out many layers of importers and distributors to ensure the best products at the most competitive prices.

We are based in Texas and specialize in value engineered fixtures of the highest quality. D-TEC has everything you need from architectural downlights to warehouse highbays and Stadium lights for the local sports fields. We are Veteran owned and operated and all of our products are NRTL certified to meet NEC. If you have any questions or are interested in something you do not see listed please do not hesitate to contact us.

Our customer base includes residential, industrial and commercial electrical contractors as well as facility managers and purchasing agents from other retail distributors that want the best lighting products from a dependable and reputable company.


Justin Kinser , President & CEO

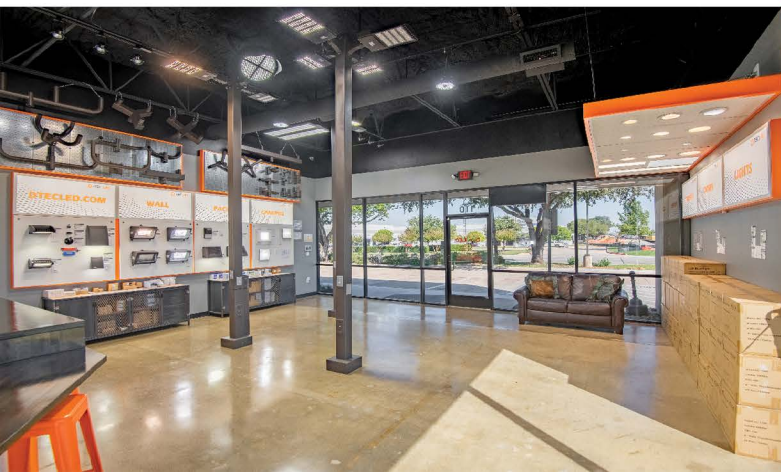


Table of Contents

Indoor

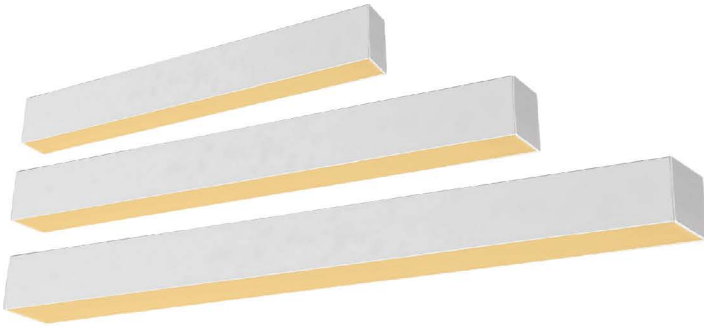
Architectural Strip light / retrofits.....	Page 4-5
Center basket troffer.....	Page 6
Flat panels.....	Page 7-9
Downlights.....	Page 10-11
Emergency / Exit	Page 12-15
Emergency drivers	Page 16-17
High bays	Page 18-19
Linear strips	Page 20
Rope light	Page 21
Tape light / Modules / Channels.....	Page 22-23
12V drivers / 24V drivers.....	Page 24
Tubes lights.....	Page 25
Under cabinet & puck lights.....	Page 26-27
Vapor tight.....	Page 28
Wrap light.....	Page 29

Outdoor

Security light / Bullet light.....	Page 30-31
Mpal 15,30,50W & 100W.....	Page 32-33
Legacy 2 5000K	Page 34
Legacy 2 CCT	Page 35
Canopy lights.....	Page 36
Solar light / Street light / Top post light.....	Page 37-38
Stadium lights.....	Page 39
Wall packs	Page 40-44

Accessories

Switches / Plugs / Devices	Page 45
RF controls / Bluetooth controls	Page 46
Photocells / AMT sensor	Page 47
Installation hardware	Page 48-51
Poles	Page 52-53
Shoebox diagram	Page 54
LED equivalent.....	Page 55



APPLICATIONS

This architectural direct/ indirect linear strip light is a decorative commercial grade fixture. It offers both wattage and kelvin selectable with several adjustments to set the direct/ indirect light as needed. Designed to be linkable and support multiple mounting solutions (3ft cable kit and surface mounting is standard). Perfect for offices, retail, and other hospitality spaces.

FEATURES

- * CCT selectable in 3500K, 4000K, 5000K
- Wattage selectable 15W, 20W, 25W (2Ft), 40W, 45W, 50W (4Ft) and 65W, 75W, 90W (8Ft)
- * Long-life LEDs provide 100,000 hours of operation
- * 130 lu/W LEDs
- * 0-10V dimming capability
- * Universal 120-277 AC voltage (50-60Hz) is standard
- * Power factor > 0.90
- * Beam angle:360 degrees
- * Color rendering index > 80
- * Available in white only
- * Adjustable direct / indirect flux ration:
direct: 100%, 70%, 50% ; indirect: 0%, 30%, 50%



Adjustable flux ratio

CCT Selectable
3500K, 4000K, 5000k

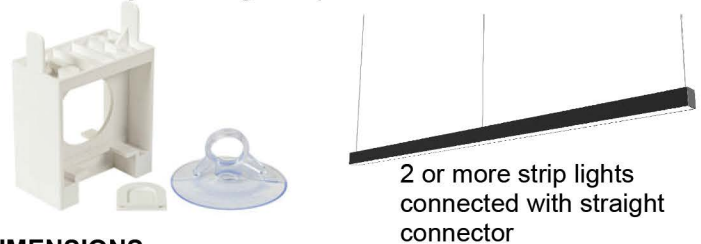
Wattage Selectable
15W, 20W, 25W (2Ft)
40W, 45W 50W (4Ft)
65W, 75W, 90W (8Ft)

WARRANTY & DETAILS

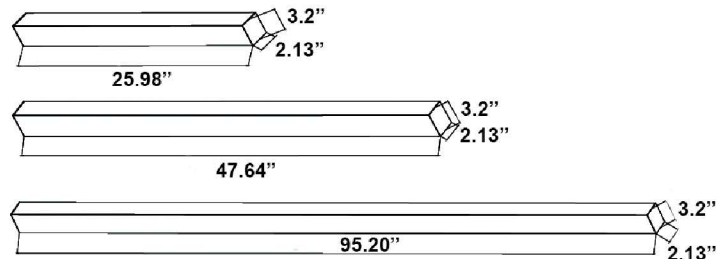
- * cULus listed for damp locations (-4°F to 122°F)
- * DLC Premium listed
- * Damp location rated
- * 5-year warranty on all electronics and housing

CONNECTOR (sold separately)

- * 1" connecting with straight shape connector



DIMENSIONS



ACCESSORIES (standard)



ORDERING INFORMATION

PART #	Size	Color Temp	Lumens	Lumen/watt	Wattage	Voltage
DTH-OL2FT152025W27-3545K-W	2Ft	3K, 4K, 5K	1950, 2600, 3250	130	15,20,25	AC 100-277V
DTH-OL4FT404550W27-3545K-W	4Ft	3K, 4K, 5K	5200, 5850, 6500	130	40,45,50	AC 100-277V
DTH-OL8FT657590W27-3545K-W	8Ft	3K, 4K, 5K	8450, 9750, 11700	130	65,75,90	AC 100-277V
DTH-OL180-2T	Straight connector (sold separately)					

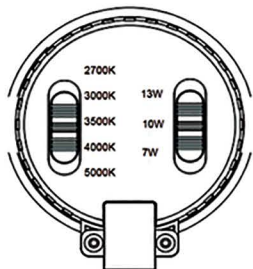


APPLICATIONS

The 4", 6" and 8" Architectural Recessed Downlight Retrofit solution has an integrated LED power supply and thermal management system combined in a single compact unit designed to fit most standard 4", 6" and 8" openings. Also works in new construction applications. It is wattage and kelvin selectable to fit most needs and wet location rated.

FEATURES

- * Long life LED's with up to 50,000 hours at 70% lumen maintenance
- * Universal 100-277 V AC (50-60 Hz) input standard
- * Dimmable 0-10V
- * Save 75% compared to incandescent sources
- * High efficiency driver with a power factor >0.90
- * Built-in LED Driver
- * Operation temperature of -4 F - 104 F



- * CCT: 27K, 3K, 35K, 4K & 5K color temperature on all 3 lights
- * Wattage selectable :
- 4": 600 Lm to 1050 Lm
- 6": 800 Lm to 1850 Lm
- 8": 1000 Lm to 2400 Lm

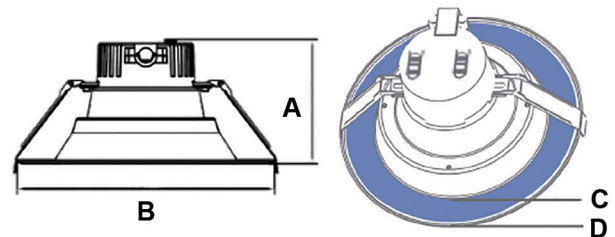
HOUSING

- * Compatible w/ most architectural housings or frames
- * Universal Housing Compatibility
- * Durable thermoplastic and aluminum construction

WARRANTY / LISTING

- * Tested in accordance with IESNA LM79 & LM 80.
- * ETL Listed for wet locations, US & Canada
- * IC rated for direct contact with insulation (new construction & retrofit).
- * Energy Star certified
- * Five year warranty on all electronics and housing.

DIMENSIONS

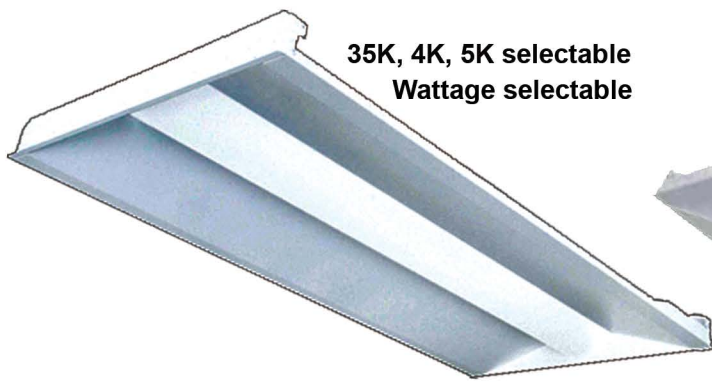


MOUNTING

- * The adjustable housing clips allow for installation in a large range of commercial and architectural housings. These spring-action clips push up easily and fit securely for both retrofit and new construction installations.
- * Optional Frame-in Kit available

ORDERING INFORMATION

		PART #	PART #	PART #
		CLL-844-90-10-CCT4"	CLL-846-90-10-CCT6"	CLL-848-90-10-CCT8"
POWER		7W, 10W, 13W	10W, 15W, 22W	12W, 20W, 30W
LUMENS		800, 850, 1050	800, 1200, 1850	1000, 1700, 2400
KELVIN RATING		2700K, 3000K, 3500K, 4000K, 5000K	2700K, 3000K, 3500K, 4000K, 5000K	2700K, 3000K, 3500K, 4000K, 5000K
DIMENSIONS	A	3.03"	3.98"	4.41"
	B	Diameter 5.35"	Diameter 8.23"	Diameter 10.24"
	C	Minimum 4"	Minimum 6"	Minimum 7.6"
	D	Minimum 4.6"	Minimum 7.5"	Minimum 8.4"



35K, 4K, 5K selectable
Wattage selectable



APPLICATIONS

These 2' x 2' and 2' x 4' LED Center Basket Volumetric Troffers are designed as a direct replacement for fluorescent fixtures installed in ACT grid ceilings. These fixtures are kelvin selectable 35K, 4K and 5K and wattage selectable. It is the perfect choice for both new construction and retrofits. This high-efficacy fixture provides long-life and uniform illumination as well as standard 0-10V dimming capability. Mounting kits sold separately

FEATURES

- * Color temperature: 3500K/4000K/5000K selectable
- * Wattage selectable 2x2: 30/35/40W
- * Wattage selectable 2x4: 30/40/50W
- * 130 Lm per watt
- * Long-life LEDs provide 75,000 hours of operation with at least 70% of initial lumen output (L70)
- * Universal 120-277 AC voltage (50-60Hz) is standard
- * 0-10 V dimming capability is standard
- * 120 degree beam angle
- * Power factor > 0.90 and CRI > 80
- * Total harmonic distortion < 20%
- * Steel housing and polycarbonate lens
- * Easy installation in new construction or retrofit. Fits in standard grid ceilings
- * Standard earthquake clips provide secure installation
- * Standard recessed mounting in ACT ceilings.

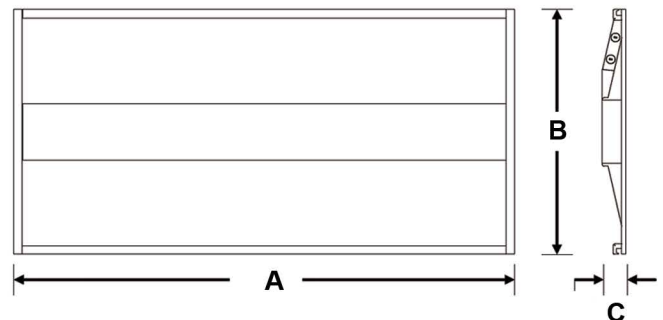
WARRANTY / LISTING

- * ETL listed
- * DLC Premium listed
- * Flicker-free per IEEE1789-2015 (low risk of adverse effects of flicker at 100% light output level)
- * Complies with RoHS requirements
- * 5-year warranty on all electronics and housing

MOUNTING KITS

* Optional Surface Mount Kits available for installation on gyp. board or other hard ceilings

DIMENSIONS



ORDERING INFORMATION

PART#	WATTAGE SELECTABLE	LUMENS	LUMENS / WATT	DIMENSIONS			OPTIONS (ORDER SEPARATELY)	Emergency driver
				A	B	C		
CLL-TTR-22-40-L-HY	30	3900	130	23.74	23.74	1.97	DTH-22PNL-SMKT = Surface Mounting kit 2x2	BLD-HM08D BILDA 8W Emergency driver order separately
CCT 35K, 4K, 5K	35	4550	130					
	40	5200	130					
PART#	WATTAGE SELECTABLE	LUMENS	LUMENS / WATT	DIMENSIONS			OPTIONS (ORDER SEPARATELY)	Emergency driver
				A	B	C		
CLL-TTR-24-50-L-HY	30	3900	130	47.76	23.74	1.97	DTH-24PNL-SMKT = Surface Mounting kit 2x4	BLD-HM08D BILDA 8W Emergency driver order separately
CCT 35K, 4K, 5K	40	5200	130					
	50	6500	130					



Bilda BLD-HM08D
Emergency backup available

These Back-Lit LED panels are designed to deliver general ambient lighting in a variety of indoor settings including schools, offices, hospitals, stores, and are the perfect choice for both new construction and retrofits. This high-efficacy fixture is CCT and power tunable as well as standard 0-10 V dimmable.

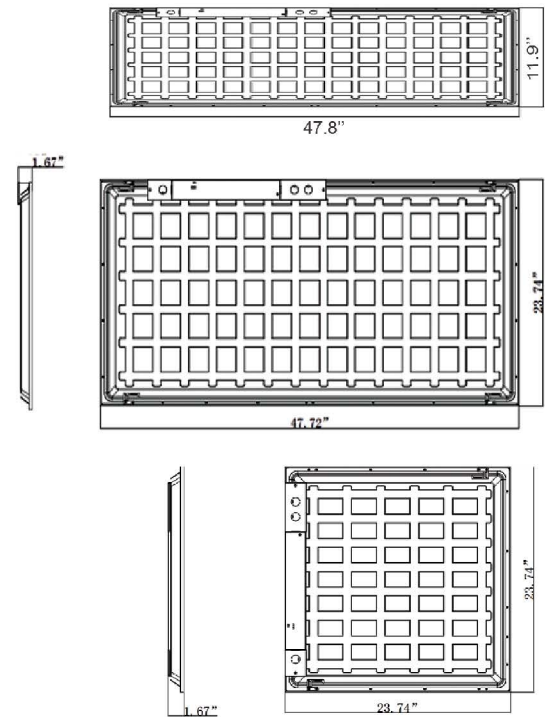
FEATURES

- * CCT: Color temperature selectable 27K, 35K, 4K, 5K, 6K 2x2 and 2 x 4 panels. 3K, 4K and 5K on 1x 4 panel
- * Adjustable power 20W,25W, 30W for 1x4 panel
- * Adjustable power: 20W, 25W 30W, 35W, 40W for 2x2 panel
- * Adjustable power: 30W, 40W, 50W, 60W, 72W for 2x4 panel
- * 130 Lumens per watt
- * Lumens: 1 x4 : 2760-3910 - 2x2 : 2600 - 5200 LU - 2x4 : 3900 - 9360 LU
- * Long-life LEDs provide 50,000 hours of operation with at least 70% of initial lumen output (L70)
- * Universal 100-277 AC voltage (50-60Hz) is standard
- * 0-10 V dimming capability is standard
- * Power factor > 0.90 and CRI > 80
- * Viewing angle: 120 degrees - 113 degrees 1 x 4 panel
- * Easy installation in new construction or retrofit
- * Standard earthquake clips provide secure installation in grid ceilings
- * Standard mounting using recessed mounting in grid ceilings. Surface mount kit CLL-SMKT-14, CLL-SMKT-22 and CLL-SMKT-24 sold separately. Also sold separately is a 6 x 2 ft cable suspension kit CLL-SK6
- * Pre-installed Bilda HM08D-8W emergency backup driver on 2 x 4 panel CLL-BPL24-3072W-2760-H1-EM. Emergency backup drivers HM08D-8W available on the other panels (order separately)

WARRANTY / LISTING

- * UL listed
- * Suitable for temperatures from (-4°F to 140°F)
- * DLC standard listed
- * 5 year warranty

DIMENSIONS



ORDERING INFORMATION

PART #	LUMENS	WATTAGE SELECTABLE	CCT TUNABLE	ACCESSORIES (order separately)
CLL-14BPLZ-35W-3050	2760-3910	20,25,30W	3K, 4K, 5K	Bilda HM08D-8W emergency backup. Surface mounting kit and suspension kits available
CLL-BPL22-2040W-2760-H1	2600 – 5200	20,25,30,35,40w	27K,35K, 4K, 5K, 60K	
CLL-BPL24-3072W-2760-H1	3900 – 9360	30,40,50,60,72w	27K,35K, 4K, 5K, 60K	
CLL-BPL24-3072W-2760-H1-EM	3900 – 9360	30,40,50,60,72w	27K,35K, 4K, 5K, 60K	



APPLICATIONS

The CLL-GRP series is designed to fit where no other recessed fixture can due to its IC rating and air tight construction; no can housing is needed. At only 1.75-2.25" thick, this fixture is ideal for ceilings with limited space. Installation is as simple as cutting your hole, and snapping the fixture into place using the attached spring clips. This ultra thin wafer gimbal LED delivers 650 lumens (3") and 1000 lumens (4") of light in Kelvin selectable 3K , 4K & 5K

FEATURES

- * 360° directional rotatable and 45° tilt
- * Type IC Rated: No Housing Required
- * Air Tight: Suitable for Damp Locations
- * Junction Box Complies to ETL Safety Standard
- * High Lumens Output
- * 0~100% Triac Dimmable
- * Easy Installation (labor cost saving)
- * Applications: Recessed
- * Color Temperature: Kelvin selectable 3K, 4K, 5K
- * CRI: >80
- * Beam Angle: 24° for 3" and 38° for 4"
- * Input: AC90~130V
- * Power Factor: 0.9
- * Lifetime: 50,000 hours
- * Compatible dimmers: Lutron, Legrand, Leviton
- * Led Type: COB

WARRANTY / LISTING

- * ETL Listed for damp locations in US & Canada (new construction & retrofit)
- * IC rated for direct contact with insulation
- * Energy Star certified
- * Passes FCC Class A
- * Five year warranty on all electronics and housing

DIMENSIONS

	DIMENSION 3"	DIMENSION 4"
Outer Diameter of light	83 mm – 3.25"	128 mm – 5"
Cut Hole of Light	65 mm – 2.55"	115 mm – 4.5"
Height of Light	45 mm – 1.77"	58 mm – 2.25"
Length of Junction Box	59 mm – 2.32"	100 mm – 4"
Width of Junction Box	82.5 mm – 3.25"	68 mm – 2.68"
Height of Junction Box	37.5 mm – 1.50"	35 mm – 1.38"

ORDERING INFORMATION

MODEL	PART #	KELVIN	LUMENS	ENERGY USED	HALOGEN EQUIVALENT
3" LED Gimbal Light	CLL-GRP3-CCT	3K,4K,5K	650	8W	80W
4" LED Gimbal Light	CLL-GRP4-CCT	3K,4K,5K	1000	15W	100W



Switch for Color temp on 4", 6" and 8" 120V

APPLICATIONS

Ultra thin recessed wafer downlight for recessed applications. These lights are IC rated and Air Tight which means they do not require a can housing and their thin design makes them ideal for working around ceilings joints in recessed applications where space is limited. The FRP 4", 6" and 8" are CCT tunable, accept 120V input and are triac dimmable.

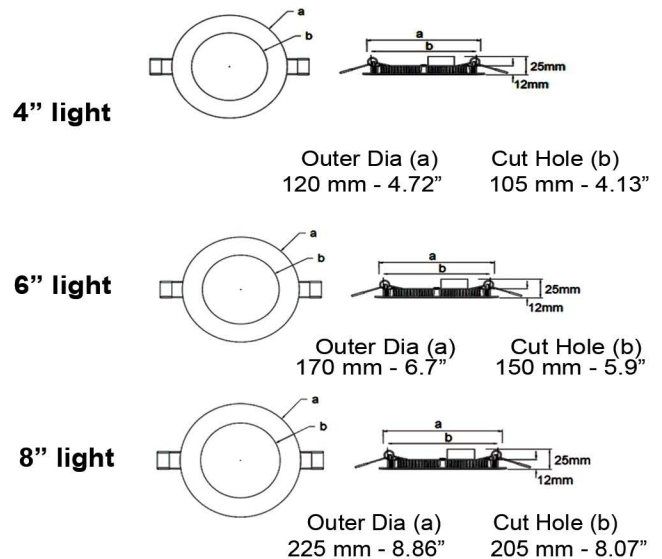
FEATURES

- * Type IC Rated: No Housing Required
- * Air Tight: Suitable for Damp Locations
- * Junction Box Complies to ETL Safety Standard
- * High Lumens Output
- * Triac dimmable on FRP 120V - compatible dimmers: Lutron, Legrand, Leviton
- * Easy Installation, labor Cost Saving
- * Applications: Recessed
- * Color Temperature: 3000K / 4000K / 5000K adjustable
- * CRI: >80
- * Beam Angle 120°
- * Power Factor: 0.9
- * Lifetime: 50,000 hours
- * Led Type: SMD2835 with LM -80
- * Working temperature: -4 F to 140F

WARRANTY / LISTING

- * ETL Listed for damp locations in US & Canada (new construction & retrofit)
- * Energy Star certified
- * Passes FCC Class A
- * Five year warranty

DIMENSIONS



ORDERING INFORMATION

MODEL	PART #	KELVIN	LUMENS	ENERGY USED	INPUT VOLTAGE
4" Thin wafer LED	CLL-FRP4-CCT	CCT 3000,4000,5000	750	9W	120V
6" Thin wafer LED	CLL-FRP6-CCT	CCT 3000,4000,5000	1000	15W	120V
8" Thin wafer LED	CLL-FRP8-CCT	CCT 3000,4000,5000	1260	18W	120V

SURFACE MOUNT DOWNLIGHT

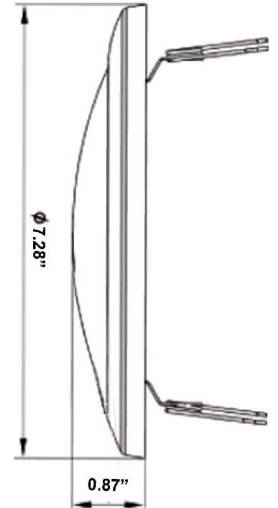
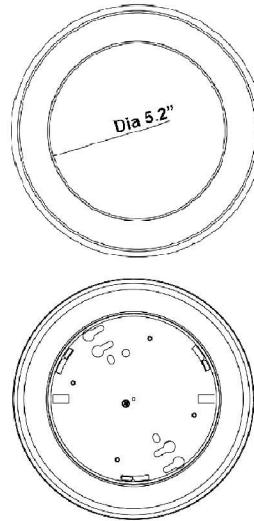
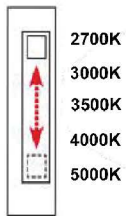
CLL-D236-90-CCT



2700K | 3000K | 3500K | 4000K | 5000K

6" CCT DISK LIGHT

- * 5 CCT Color Temperature: 2700K / 3000K / 3500K / 4000K / 5000K
- * wattage: 15W
- * Junction Box Complies to ETL Safety Standard
- * High Lumens Output: 1,200
- * Power: 120VAC
- * Triac dimmable
- * Applications: Surface mount
- * CRI: >90
- * 90 degree beam angle
- * Power Factor: 0.9
- * Lifetime: 50,000 hours
- * Working temperature: -4 F to 140F
- * Easy Installation, labor Cost Saving
- * 5 year warranty



PART	LUMENS	WATTS	LM/W	CCT COLOR TEMPS
CLL-D236D-90-CCT-WH	1,100	15	73	27,30,35,40,50k

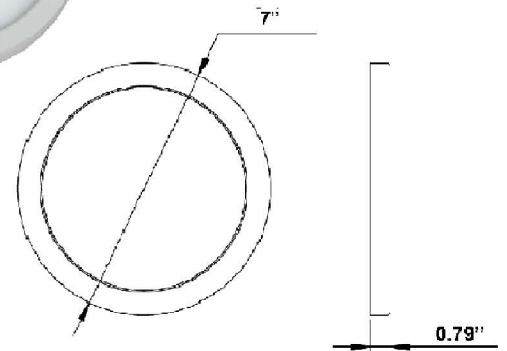


CLL-SMD-R7-15W-3CCT

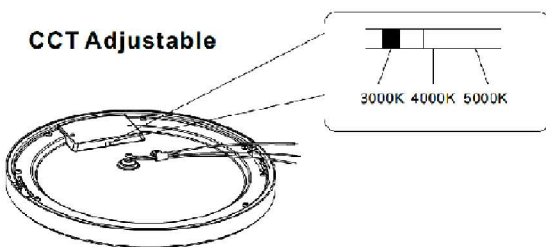
Surface mount downlight

- * 3 CCT Selectable: 3000K,4000K,5000K
- * Wattage: 15W
- * High lumen output: 1,050
- * 120VAC 60Hz
- * Triac dimmable
- * Beam angle: 120 degrees
- * Protection rating: IP20 for indoor use only
- * CRI: > 80
- * Power factor: 0.9
- * Finish: white
- * 5 year warranty

3000K
4000K
5000K



CCT Adjustable



Part #	WATTAGE	Voltage
DTH-SMD-R7-3CCT	15W	AC 120 VAC-60Hz

DOWNLIGHT

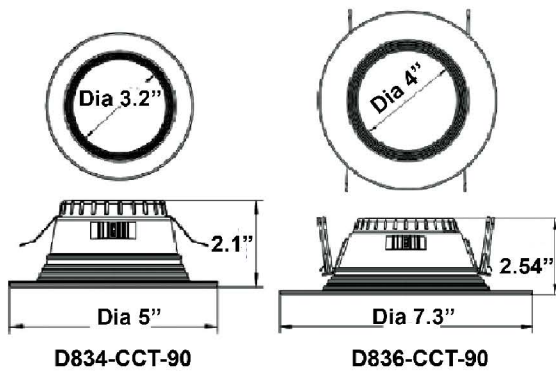


CLL-D83X-CCT-90-WH-B

RETROFIT TRIM DOWNLIGHT

- * Long Life LEDs with up to 50,000 hours at 70% lumens maintenance
- * 5 CCT selectable
- * Beam Angle: 106 degrees for D834 and 111 degrees for D836
- * Color temperature: 2700K, 3000K, 3500K, 4000K or 5000K selectable
- * D834 is 10W and 650 lm, D836 is 15W and 1000 lm
- * High efficiency LED driver with a power factor > 0.90 with input power of 120V, 50/60Hz
- * Triac dimmable: Down to 10% dimmable with most LED dimmers
- * Voltage: 120V 60 Hz
- * Operation temperature of -4F -104F
- * 5-year warranty

2700K | 3000K | 3500K | 4000K | 5000K



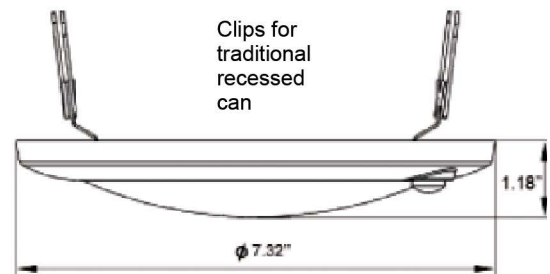
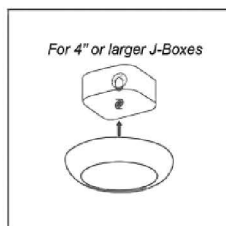
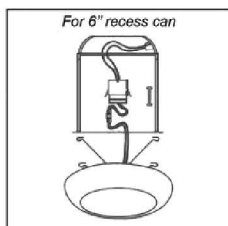
PART #	LUMENS	WATTS	LUMENS PER WATTS	SELECTABLE COLOR TEMP
CLL-D834-CCT	650	10	65	27,30,35,40,50K
CLL-D836-CCT	1,000	15	67	27,30,35,40,50K



CLL-556-5K-MS

6" DISK LIGHT with PIR (Motion sensor)

- * 15W, 1100 Lumens, 5000K
- * Long life LED's with up to 50,000 hours at 70% lumen maintenance
- * PIR motion sensor activates light, 5 min no motion deactivates to conserve energy
- * Beam angle: 113 degrees
- * High efficiency driver with a power with factor >0.90 with input power of 120V AC, 50 - 60Hz
- * Operation temperature of -4 F - 104 F
- * No housing required
- * IC rated
- * 5-year warranty all all electronics and housing



PART #	POWER	LUMENS	KELVIN RATING
CLL-556-5K-MS	15W	1100	5000K

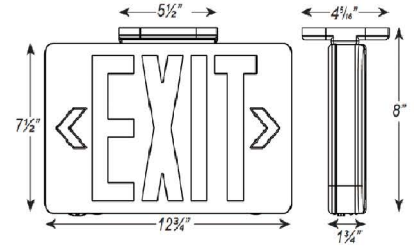
EXIT SIGNS

DTH-EXTSGN



Thermoplastic exit sign

- * Ultra bright, energy efficient, long life Red or Green LED's
- * Dual 120/277 voltage
- * Charge rate/power "ON" LED indicator light and push-to-test switch for mandated code compliance testing
- * 4.8V long life, maintenance-free, rechargeable NiCd battery
- * Internal solid-state transfer switch automatically connects the internal battery to LED board for minimum 90-minute emergency illumination
- * Five year warranty. Battery prorated to five year

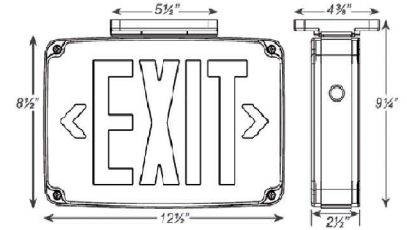


DTH-WTLEXTSGN



Wet location exit sign

- * Ultra bright, energy efficient, long life Red LED's
- * Dual 120/277 voltage
- * Unique bi-color LED indicator light alerts occupant on battery condition (Green-normal, Red-check battery)
- * Charge rate/power "ON" LED indicator light and push-to-test switch for mandated code compliance testing
- * 4.8V long life, maintenance-free, rechargeable NiCd battery
- * Internal solid-state transfer switch automatically connects the internal battery to LED board for minimum 90-minute emergency illumination
- * Five year warranty. Battery prorated to five year

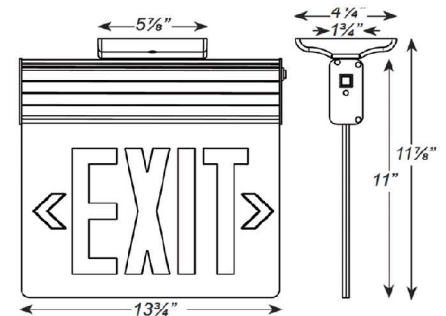


DTH-ELEXT



Edgelit aluminum exit sign

- * Ultra bright, energy efficient, long life Red or Green LEDs
- * UV-stabilized ultra-clear acrylic edgelit panel provides consistent, uniform illumination
- * Double face utilizes factory installed silver mylar background panel
- * Dual 120/277 voltage
- * Charge rate/power "ON" LED indicator light and push-to-test switch for mandated code compliance testing
- * 4.8V long life, maintenance-free, rechargeable NiCd battery
- * Internal solid-state transfer switch automatically connects the internal battery to LED board for minimum 90 - minute emergency illumination



PART #	No of faces	Letter Color	Housing Color	Battery	Options
DTH-EXTSGN	2	Universal Single/ Double face	R Red G Green	W White B Black	EM Backup RC = Remote capable
DTH-WTLEXTSGN	1	Single face	R Red	G Grey	EM Backup

PART #	No of faces	Letter Color	Panel	Housing Color	Battery Standard
DTH-ELEXT	1	Single face	R Red	C Clear	A Aluminum EM Battery
	2	Double face	G Green	M Mylar	Backup

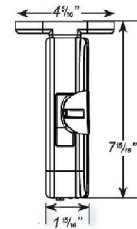
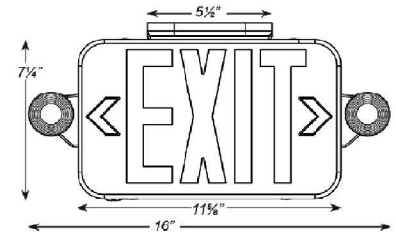
LED EXIT & EMERGENCY COMBO

CLL-EXTCMB-VE



Exit combo eco

- * Adjustable long lasting, efficient ultra bright white LED lamp heads
- * 1 x 0.5 watt white LED per lamp head
- * Unique all inclusive lamp, reflector and lens assembly
- * Long-lasting, energy efficient Red LED EXIT sign illumination
- * Dual 120V/277 voltage standard
- * Unique bi-color LED indicator light alerts occupant on battery condition (Green-normal, Red-check battery)
- * Internal solid-state transfer switch automatically connects the internal battery to LED board for minimum 90-minute emergency illumination
- * One year warranty. Battery prorated for one year



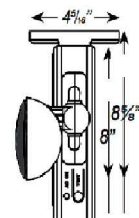
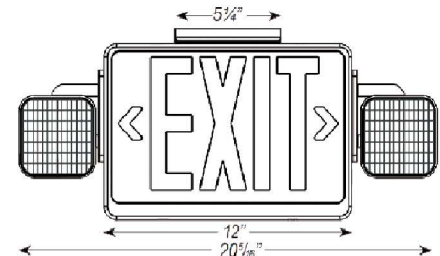
PART #	No of faces	Letter Color	Housing Color	Options
CLL-EXTCMB-VE	blank= Universal Single	R Red	W White	RC Remote capable to up to 3W

CLL-EXTCMB



Exit combo

- * Long lasting, efficient ultra bright 1.0 watt (8 LEDs x 0.125W) per head
- * High performance chrome-plated metallized reflector and plastic lens for optimal light distribution
- * Adjustable LED lamp heads provides optimal center-to-center spacing
- * Long life, energy efficient Red LED EXIT sign illumination
- * Dual 120/277 voltage
- * Charge rate/power "ON" LED indicator light and push-to-test switch for mandated code compliance testing
- * 9.6V long life, maintenance-free, rechargeable NiCd battery
- * Minimum 90-minute emergency illumination
- * Five year warranty. Battery prorated to five year



PART #	No of faces	Letter Color	Housing Color	Options
CLL-EXTCMB	2 Universal Single	R Red	W White	RC : Remote Capable up to 3W (available in Red/White only)
	Double face	G Green	B Black	

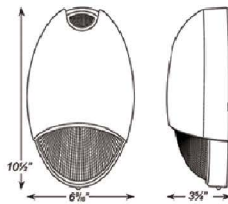
WET RATED / OUTDOOR EMERGENCY EGRESS

CLL-MWP06



Architectural outdoor die-cast emergency light

- * Can be used as a Normally ON or Normaly Off fixture as well as on a switched emergency circuit
- * Offers long lasting, efficient, ultra bright white LED's.
- * 15 watt LED - 5000K -1801 Lumens @ 129 Lu/W
- * Mirror-bright reflector and prismatic polycarbonate refractor
- * Photocell control sensor included as standard for use as dusk-to-dawn fixture
- * Phillips Lumiled SMD2835
- * Universal Dual 120V/277 voltage
- * Charge rate/power "ON" LED indicator light and push-to-test switch for mandated code compliance testing.
- * Maintenance free, rechargeable NiCd battery
- * Internal solid-state transfer switch automatically connects the internal battery to LED board for minimum 5W 90-minute emergency illumination
- * Fully automatic solid-state, two rate charger initiates battery charging to recharge a discharged battery in 24 hrs
- * Five year warranty. Battery prorated for five year

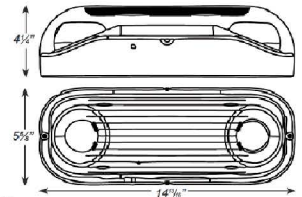


DTH-EMER-WTL



Wet location vandal proof emergency light

- * Two fully adjustable, semi-recessed ultra bright, 3.3 watt MR-16 LED lamp heads standard
- * Dual 120/277 voltage
- * Charge rate/power "ON" LED indicator light and push-to-test switch for mandated code compliance testing
- * 3.6V long life, maintenance-free, rechargeable NiCd battery
- * Internal solid-state transfer switch automatically connects the internal battery to LED board for minimum 90-minute emergency illumination
- * Fully automatic solid-state, two rate charger initiates battery charging to recharge a discharged battery in 24 hours
- * Five year warranty on all electronics and housing. Battery prorated for two years



PART #	Lu/W	Power	Lumens	Voltage	Emergency
CLL-MWP06	129	15W	1801	120 - 277V	5W for 90 min

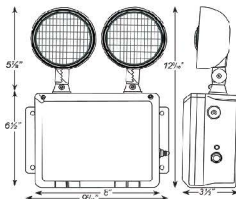
PART #	Housing Color	Standard Feature
DTH-EMER-WTL	Blank = Grey	Blank = wet location

DTH-TFX2



Wet location remote capable emergency light

- * Sealed and gasketed weather proof lamp heads with high performance chrome-plated reflector for optimal light distribution
- * Adjustable long lasting, efficient, ultra bright white LED lamp heads
- * 1.875 watt (15 LEDs x 0.125) per head
- * Charge rate/power "ON" LED indicator light and push-to-test switch for mandated code compliance testing
- * Dual 120/277 voltage standard
- * Remote capacity of 3.7 watt standard
- * 9.6V long life, maintenance-free, rechargeable NiCd battery
- * Internal solid-state transfer switch automatically connects the internal battery to LED lamp heads for minimum 90 minute emergency illumination
- * Fully automatic solid-state, two rate charger initiates battery charging to recharge a discharged battery in 24 hours
- * Five year warranty on all electronics and housing. Battery prorated for five years



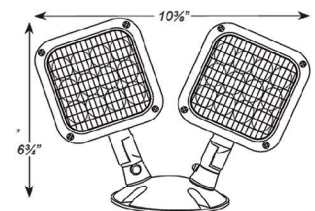
MODEL	Housing Color
DTH-TFX2	Blank= Gray

DTH-RHLED



LED polycarbonate remote head

- * Long lasting, efficient, ultra bright white LED lamp heads
- * 1.0 watt per head
- * Adjustable lamp heads provide optimal center-to-center spacing.
- * Powered from low voltage power source with low voltage wiring (not provided).
- * Universal mounting adapter plate included. Mounts to single-gang switch box
- * Five year warranty



PART #	No of heads
DTH-RHLED	2 Double head

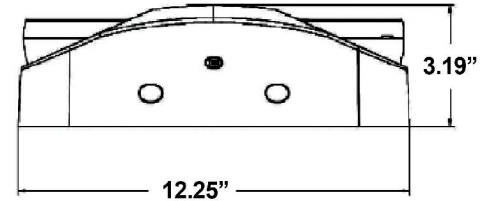
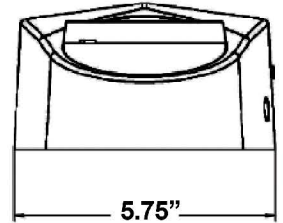
EMERGENCY EGRESS



DTH-HPEM

LED emergency light

- * High performance chrome plated metallized reflector and plastic lens
- * 1,162 lumens (581 per head x 2) @ 12 watts
- * Universal 120/277 voltage standard
- * 9.6V long life, maintenance-free, rechargeable lithium iron phosphate battery.
- * Remote capacity of 3.0 watts standard
- * 90-minute emergency illumination
- * Fully automatic solid-state, two rate charger fully recharges a discharged battery in 24 hours
- * Unique bi-color LED indicator light alerts occupant on battery condition (Green-normal, Red-check battery)
- * Charge rate/power "ON" LED indicator light and push-to-test switch for mandated code compliance testing
- * 5 year warranty on all electronics and housing - battery prorated for 5 years



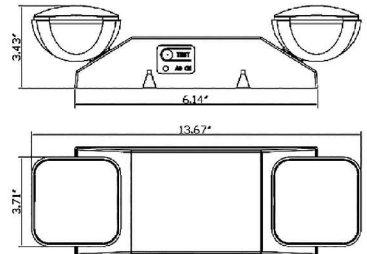
PART #	Housing Color	Wattage	Lumens
DTH-HPEM	White	12W per head	1162



CLL-EMER-BUGLT

LED emergency light

- * Long lasting, efficient ultra bright white LED lamp heads.
- * 24 SMD
- * Adjustable LED lamp heads provides optimal lighting
- * Dual 120/277 voltage
- * Charge rate/power "ON" LED indicator light and push-to-test switch for mandated code compliance testing
- * 6V / 700 mAHLong life, maintenance-free, rechargeable NiCd battery
- * Fully automatic solid-state, two rate charger fully recharges a discharged battery in 24 hours
- * Five year warranty on all electronics and housing. Two year warranty on battery



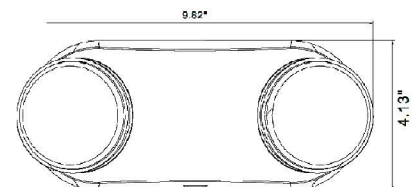
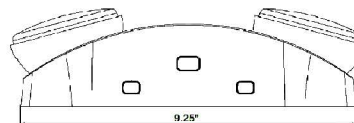
PART #	Housing Color	
CLL-EMER- BUGLT	W	White
	B	Black



CLL-EMER-BUGLT-VE

LED emergency light eco

- * 12 SMD 2835 led per lamp head
- * Adjustable long lasting, efficient, ultra bright white LED lamp heads.
- * Dual 120/277 voltage standard.
- * 3.7V 700 mAHLong life, maintenance-free, rechargeable Ni-Cd battery.
- * Internal solid-state transfer switch automatically connects the internal battery to LED lamp heads for minimum
- * 90-minute emergency illumination.
- * Fully automatic solid-state, two rate charger initiates battery charging to recharge a discharged battery in 24 hours
- * Five year warranty on all electronics and housing. Two year warranty on battery



PART #	Housing Color
CLL-EMER- BUGLT-VE	White

EMERGENCY DRIVERS

BLD-CM20E-20W



- * External Life P04 battery - 11.1V / 4000Ah
- * Battery protections: over charge protection, over discharge protection, short circuit protection
- * Indicator shows a variety working modes
- * The batteries meets 500 Cycles of standard CH and standard DCH
- * Wet location rated
- * Universal 100-277V, 50-60 Hz input
- * Test Switch indicator light
- * Output power: 20W ; Output current and voltage: 420-800mA - 25-48 Vdc
- * 90 Minute minimum emergency operating time over full temperature range
- * 24 Hour maximum battery recharge time
- * 5 year warranty on all electronics and housing

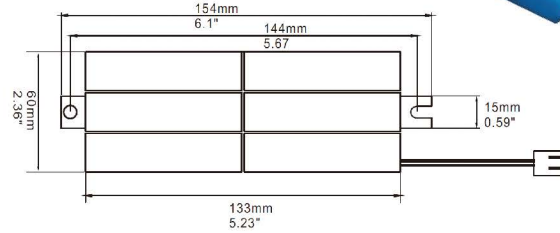
For use with



Glass wall packs



* New IP65 proprietary test switch



PART #	Output Voltage (VDC)	Output Power(W)	Output current
DTH-CM20E-20W	25-48	20	420-800mA

BLD-HM25D



- * Internal Li-ion battery
- * Self test
- * Input Voltage: 100-347V, 50-60 Hz input
- * Output power: 25W ; Output current and voltage: <100mA <175 Vdc
- * 90 Minute minimum emergency operating time over full temperature range
- * 24 Hour maximum battery recharge time
- Ambient temperature: 32 F to 122F
- * 5 year warranty on all electronics and housing
- * Applications: 1- <150W (0/1-10V dimmable fixture)
2- <20W LED fixture without dimming function

For use with



LED downlights



Part #	Wattage	Output voltage	Input current
BLD-HM25D	25W	< 175 VDC	< 100mA

EMUFO-40170-YY

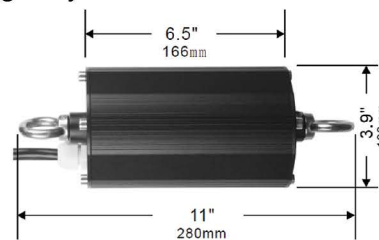


- * High output voltage 170 V
- * CEC compliance Constant output power
- * Self-testing
- * Battery:thermal protection
- * Remote control testing (Optional) distance at 98ft
- * Input Voltage:100~347Vac, 50/60Hz
- * Recharge Time:24Hrs
- * Emergency Power:40W
- * Discharge Time:1.5H
- * Battery:Ni-MH or Li-ion
- * Weight:7.3 lbs(3.3kg)
- * 5-year Limited Warranty

For use with



UFO High bays



PART #	OUTPUT VOLTAGE	OUTPUT POWER
EMUFO-40170-YY	170V	40W

EMERGENCY DRIVERS

BLD-CM20

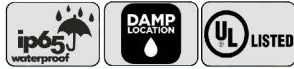


- * External Life P04 battery - 9.6 V / 3000Ah
- * Battery protections: over charge protection, over discharge protection, short circuit protection
- * The batteries meets 500 Cycles of standard CH and standard DCH
- * Universal 100-277V, 50-60 Hz input
- * Test Switch indicator light
- * Output power: 15W ; Output current and voltage: 400-600mA - 25-48 Vdc
- Output power: 8W ; Output current and voltage: 160-320mA - 25-48 Vdc
- * 90 Minute minimum emergency operating time over full temperature range
- * 24 Hour maximum battery recharge time
- * 5 year warranty on all electronics and housing

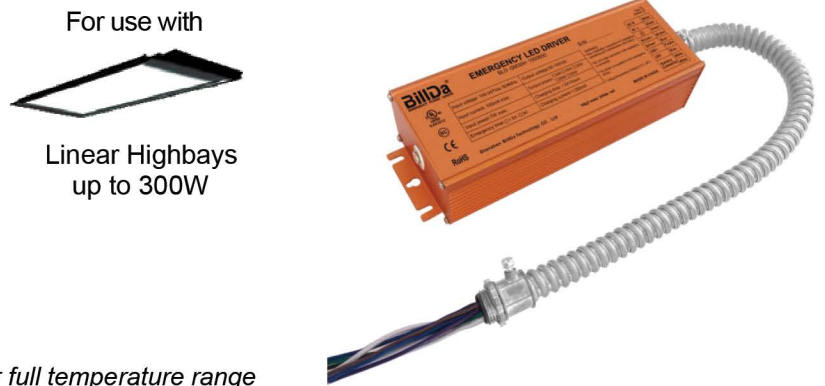


PART #	Voltage (VDC)	Power (W)	Dimensions case	Dimensions battery
BLD-CM20N-15W	25-48	15	7.4"x1.5"x1.1"	6.1x 1.2"
BLD-CM20E-8W	25-48	8	7.4"x1.5"x1.1"	6.1x 1.2"

BLD-GM30H-20W



- * Emergency power: 20W
- * For use with switched or unswitched fixtures
- * Built-in lithium Battery
- * Universal 120-347V, 50-60 Hz input
- * Output current: 130-400mA
- * Output power: 20W ; DC50-150V
- * Short circuit protection
- * High temperature, maintenance free NI-Mh battery
- * Meets 500 cycles of standard charge and discharge
- * 90 Minute minimum emergency operating time over full temperature range
- * 24 Hour maximum battery recharge time
- * IP rating: waterproof IP65
- * Five year warranty on all electronics and housing

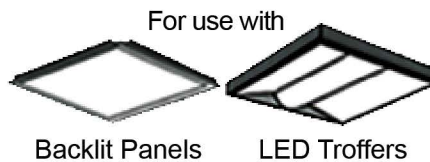


PART #	Battery	Power	Output Power	Emergency
BLD-GM30H-20W	Li-on 11.1V 4000 mA	20W	DC 50-150V	90 min

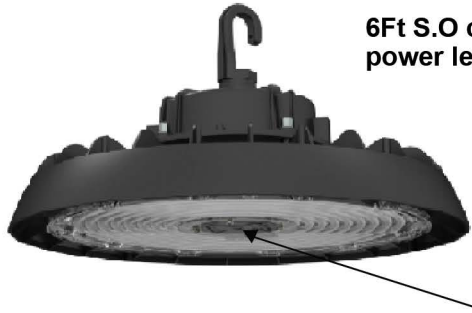
BLD-HM08D-8W



- * Emergency power: 8W
- * Intelligent emergency automatic detection function
- * For use with switched or unswitched fixtures
- * Internal LiFePO4 Li-ion battery 11.1V / 2000mAh
- * Universal 120-277V, 50-60 Hz input
- * Output power: 8W ; 250mA -25-48 V (class 2).
- * Battery protections: over charge protection, over discharge protection, short circuit protection
- * High temperature, maintenance free NI-Mh battery
- * 90 Minute minimum emergency operating time
- * 24 Hour maximum battery recharge time
- * Constant output power (auto-sensing output with each range)
- * 5 year warranty



Part #	Wattage	Voltage	Output current
BLD-HM08D-8W	8W	AC 120 VAC-60Hz	250mA



6Ft S.O cord
power lead

Easy field install
motion sensor
available

APPLICATIONS

The CLL-UHB is a premium round LED UFO High Bay light. It is designed to illuminate a wide variety of settings including commercial, industrial and retail settings such as warehouses, manufacturing plants, sporting venues and big-box retailers. Standard die cast aluminum housing and clear PC lens, the CLL-UHB provides durability and high performance. Standard with sensor receptacle built in for easy install control options, sensor sold separately.

FEATURES

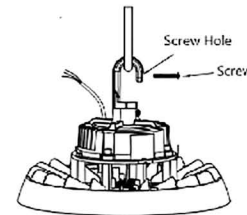
- * 150W, 200W and 240W are standard in 5000K color temp
- * CLL-UHB-CCT is color selectable 35K, 4K and 5K and wattage selectable 150W, 200W, 240W
- * Universal 100-277V AC input voltage is standard
- * 150 Lumen / watt
- * Premium Fahold driver
- * Beam angle: 110 degrees
- * Dimmable 0 -10 V standard
- * Power factor > 0.90
- * Total harmonic distortion <20%
- * Color rendering Index >80
- * Die cast aluminum housing, painted black
- * Easy installation in new construction or retrofit

WARRANTY / LISTING

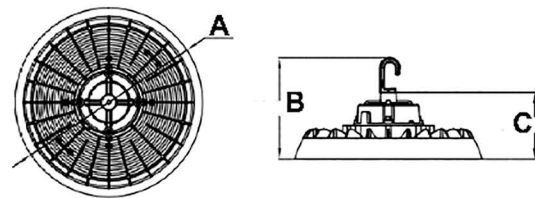
- * UL listed
- * DLC premium Listed
- * IP65 "wet location" rated
- * Flicker free per IEEE 1789-2015 (no observable adverse effects of flicker at 100% light output level)
- * 5-year warranty on all electronics and housing

MOUNTING OPTION

* Suspension from pre-installed mounting hook with locking set screw is standard.



DIMENSIONS



ORDERING INFORMATION

PART #	Watt	Lumens per watt	Color Temp	Lumens	Options (order separately)	Dimensions		
						A	B	C
CLL-UHB-150W	150	150	5000	22500	Battery pack: EMUFO-40170-YY	10.4"	7.2	4.7"
CLL-UHB-200W	200	150	5000	29000	Motion sensor CLL-UHB-MS	12.8"	7.3	4.8
CLL-UHB-240W	240	150	5000	36000		13.8"	7.4	4.9"
CLL-UHB-CCT Wattage selectable	150	140	35K,4K,5K CCT	21000	Battery pack: EMUFO-40170-YY	13.8"	7.4	4.9"
	200	150	35K,4K,5K CCT	30000	Motion sensor CLL-UHB-MS			
	240	150	35K,4K,5K CCT	36000				



12VDC microwave occupancy sensor

APPLICATIONS

This LED Linear High Bay fixture has premium quality performance and technology. Ideal for one-to-one replacements for conventional HID, T8 or T5 fixtures. The revolutionary high efficacy light output of 150 Lumens per watt will reduce overall operation costs. Primarily used as high bay lighting for commercial and industrial buildings. Standard V-hook chain mount. Pendant mount optional. Microwave motion occupancy sensor optional.

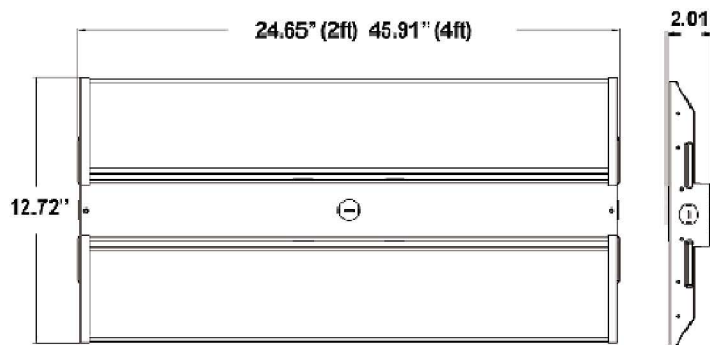
FEATURES

- * Manufactured for durability using rolled steel housing finished with polyester powder coating to resist corrosion and scratching
- * Mounting hardware includes V-hooks and chains
- * LED efficacy up to 150 lumens per watt
- * Universal 100-277V AC (50-60 Hz) input standard with premium driver
- * Long-life LEDs with 75,000 hours of operation
- * Polycarbonate diffuser
- * Equipped with 0-10V dimming capability
- * Suitable for damp location
- * Color rendering Index >80
- * Beam Angle : 90 Degree
- * Power Factor: >0.9
- * Can operate in temperatures -4°F to 104°F

WARRANTY & DETAILS

- * ETL Listed
- * FCC Part 15 Class B
- * DLC Premium
- * Flicker free per IEEE 1789-2015 (no observable adverse effects of flicker at 100% light output level)
- * 5-year warranty

DIMENSIONS



MOUNTING

- * Standard with V hook & chain

ORDERING INFORMATION

OPTIONS - order separately

- * Occupancy Sensor
- * Aircraft cable suspension kit
- * BLD-GM30H-20W emergency back-up

PART #	Size	Rated Wattage	Total lumens	CCT	OPTIONS (order separately)
CLL-LHB5-110W-5K	2 ft	110W	16,500	5000K	Aircraft cable:CLL-ACHG-10FT-KIT
CLL-LHB5-165W-5K	2 ft	165W	24,750	5000K	Surface mount:CLL-LHB5-SRFMT
CLL-LHB5-220W-5K	2 ft	220W	33,000	5000K	Occupancy Motion Sensor : CLL-LHB5-MS
CLL-LHB5-300W-5K	4 ft	300W	45,000	5000K	Emergency Driver (up to 220W) : BLD-GM30H-20W



APPLICATIONS

The 4' and 8' Linear Strip series is **kelvin and wattage selectable** in 35K, 4K and 5K as well as 25W, 30W and 40W in 4' and 50W, 60W and 70W in 8'. This linear strip light is designed as direct replacements for fluorescent strips. This high-efficacy light provides long-life and uniform illumination, as well as standard 0-10V dimming capability.

This 2' LED strip light maintains a minimal low-profile. The round frosted lens allows light to emit evenly, eliminating glare and dark ceilings. Aluminum and polycarbonate construction ensures a durable yet lightweight frame. Dimming capabilities and multiple mounting options provide adaptability to any residential or commercial space. This light is CCT selectable 3K, 4K and 5K

FEATURES

- * Kelvin selectable in 35K, 4K & 5K color temperatures
- * Wattage selectable in 25W, 30W and 40W for the 4' and 50W, 60W and 70W for the 8'
- * Long-life LEDs provide 75,000 hours of operation with at least 70% of initial lumen output (L70)
- * Uniform illumination with no visible LED pixilation
- * Universal 120-277 AC voltage (50-60Hz) is standard
- * 0-10V dimming capability is standard
- * Power factor > 0.90
- * Total harmonic distortion < 20%
- * Color rendering index > 80
- * Anti-UV frosted polycarbonate lens
- * Easy installation in new construction or retrofit as surface mount

- * Color temperature : 3K, 4K, 5K selectable
- * High efficiency Lumileds SMD2835 chips
- * Long-life LEDs provide 75,000 hours of operation with at least 70% of initial lumen output (L70)
- * Universal 120-277 AC voltage (50-60Hz) is standard
- * 0-10V dimming standard
- * Waterproof rating: Damp (IP40)
- * Total harmonic distortion < 20%
- * Lighting angle: 130 degrees
- * Color rendering index > 80
- * Suitable for ambient temperatures from -4 F to 113 F

WARRANTY & DETAILS

- * UL certification
- * DLC listed
- * Complies with FCC Part 15, class B
- * 5-year warranty on all electronics and housing

- * UL certification
- * DLC listed
- * Complies with FCC Part 15, class B
- * 5-year warranty

ACCESSORIES - SOLD SEPARATELY

- * PIR Occupancy sensor (sold separately)
- * V chains hanging kit (pair)
- * BLD-CM20 emergency back-up 8W + 15W

- * PIR Occupancy sensor (sold separately)
- * V chains hanging kit (pair)
- * BLD-CM20 emergency back-up 8W

ORDERING INFORMATION

PART #	COLOR TEMP	LUMENS	LUMENS / WATT	WATTAGE	LENGTH	WIDTH	HEIGHT
CLL-ST4-4FT40W-H-TCP	35K, 4K, 5K	3250 to 5200	130	25W, 30W, 40W	48.03"	2.95"	3.26"
CLL-ST4-8FT70W-H-TCP	35K, 4K, 5K	6500 to 9100	130	50W, 60W, 70W	95.98"	2.95"	3.26"
CLL-LA01C-20-CCT	3K, 4K, 5K	2300-2600	115-132	20W	24"	2.83"	3.25"



3K



5K



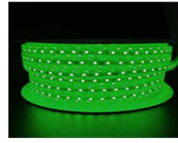
RGB



Single color Red



Single color Blue



Single color Green



APPLICATIONS

The 5050RL series is a flexible LED rope light that is the perfect solution for a wide variety of architectural and accent lighting applications including cove lighting, under-cabinet lighting, back-lighting, pathway lighting and decorative lighting. We offer 6 sku's in red, blue, green, 3K white, 5K white and RGB. This rope light has an IP68 rating and can be installed indoor and outdoor.

FEATURES

- * LED size: 5050
- * Power: 2.4W / ft
- * Length per unit cutting point: 19"
- * High luminous efficiency >70 LM / W Avg, energy saving more than 80%
- * Green environmental protection: no ultraviolet and infrared radiation, comply with RoHS requirements
- * No stroboscopic: fast starting , flicker-free, protects your eyes
- * Installation (embedded) is simple, flexible to meet different needs
- * Working hours: 50,000 hours
- * Input voltage: 120V

WARRANTY & DETAILS

- * Energy grade A
- * Power Consumption: 8 watts per meter (3.3ft)
- * Illumination Angle 120°
- * IP68
- * UL Listed
- * 3-year warranty
- * Lead free technology (ROHS)
- * Working temperature -13F to 113 F
- * Working Humidity: 5% -100%

ACCESSORIES -SOLD SEPARATELY

- * Additional clips for install
- * Additional power lead: DTH-RL-PWR
- * Additional controller + power lead for RGB: DTH-RL-RGB-PWR

ORDERING INFORMATION

PART #	LED	Lumens per foot	Lumens per watt	POWER	Lumens per roll	Roll Length
DTH-5050RL-RED	n/a	168	>70	2.4 W/ FT – 396 W per roll	27720	165 Ft
DTH-5050RL-BLUE	n/a	168	>70	2.4 W/ FT – 396 W per roll	27720	165 Ft
DTH-5050RL-GREEN	n/a	168	>70	2.4 W/ FT – 396 W per roll	27720	165 Ft
DTH-5050RL-RGB	n/a	168	>70	2.4 W/ FT – 396 W per roll	27720	165 Ft
DTH-5050RL-3K	3000K	168	>70	2.4 W/ FT – 396 W per roll	27720	165 Ft
DTH-5050RL-5K	5000K	168	>70	2.4 W/ FT – 396 W per roll	27720	165 Ft

TAPE / MODULES / PROFILE CHANNEL



APPLICATIONS

Our 2835FX60 series flexible LED strip lights are made with a factory soldered lead on one end of a 16.4' reel and on both ends on a 32 ft reel, allowing you to cut every 4 inches to the exact length that you need. We offer 8mm, 16.4 ft and 32.8ft rolls, available in IP65 and IP20 variations depending on your application.

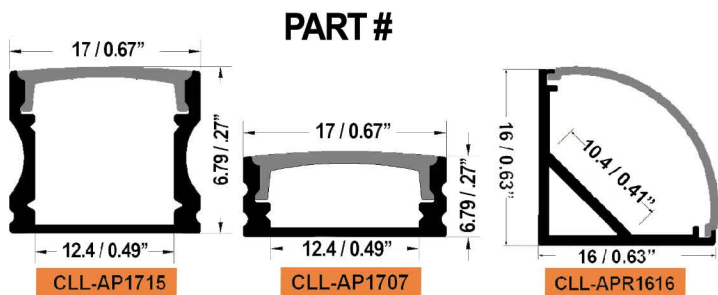
FEATURES

- * LED count: 60 per meter (18 per foot)
- * Suggested driver: DR-CV-80 for the 32 ft reel and DR-CV-40 for the 16.4 ft reel
- * Color: Available in 3000K, 4000K and 5000K
- * Reels are 10m / 32ft. 8mm width (IP65)& 5m/16.4' 8mm (IP20)

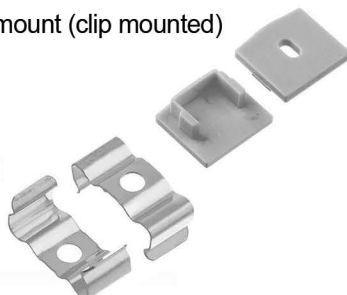
ORDERING INFORMATION

PART #	LED	Lumens per watt	POWER	Lumens per roll	Roll Length
CLL-2835FX60-3K-IP65-10M	3000K	100	2.44W/ FT – 80 W per roll	8000	32.8 Ft
CLL-2835FX60-4K-IP65-10M	4000K	104	2.44W/ FT – 80 W per roll	8320	32.8 Ft
CLL-2835FX60-5K-IP65-10M	5000K	106	2.44W/ FT – 80 W per roll	8480	32.8 Ft
CLL-2835FX60-3K-IP20-5M	3000K	100	2.44W/ FT – 40 W per roll	4000	16.4Ft
CLL-2835FX60-4K-IP20-5M	4000K	104	2.44W/ FT – 40 W per roll	4160	16.4Ft
CLL-2835FX60-5K-IP20-5M	5000K	106	2.44W/ FT – 40 W per roll	4240	16.4Ft

TAPE LIGHT ALUMINUM PROFILE



- * Installation: recessed or surface mount (clip mounted)
- * Suitable for 6-12mm tape lights
- * Length: 1 meter / 3.28 ft
- * Silver 6063 Aviation Aluminum
- * Frosted PC cover
- * Cable output: from bottom or end
- * PC transmittance: 85%
- * Includes clips and end caps



WARRANTY & DETAILS

- * Input voltage: DC 24V
- * Energy grade A
- * Power Consumption: 8 watts per meter (2.4W per ft)
- * Illumination Angle 120°
- * IP65 - Solid Silicone Extrusion
- * Tested in accordance with IESNA LM 80
- * UL Listed
- * 3-year warranty
- * Lead free technology (ROHS)

- * Working hour 50,000 hours
- * SMD LED spacing: .65" - 16.6 mm
- * PCB Width 8mm
- * Color temperature with 80 >CRI
- * Double circuit board for better electric stability
- * Soldered free connector for convenient installation

DTH-MODULES



LED Modules are designed to be used in channel letters and signs and are an ideal replacement for neon lights and other traditional advertising lighting application. LED Modules are a great versatile product because there is 4 inch lead wire between each LED Module, making them easy to cut and re-connect for any custom project. All LED Modules are IP65 waterproof.



- * Low power consumption
- * High brightness, full range colors are available
- * Long lifespan: 50,000 hours at least
- * Voltage: DC12V
- * Color: Red/Blue/Green "solid only"
- * Color: White in 3000K and 6500K
- * Beam Angle: 140 degrees in colored mode
- * Beam Angle: 120 degrees white Module
- * Led type: SMD 2835 Led
- * QTY: 3PCS per module
- * Power: 1.2W solid - 1.44W White
- * Lumen Output: 150-180 LM per ft. solid - 240 LM per ft White Module
- * 3 year warranty

PART #	Voltage	Power	Color	Lumens per feet	Size
DTH MODULE 1.2W RED	12V	1.2W	Red	150-180	3.3" x 0.75" x 0.30"
DTH-MODULE-1.2W-GREEN	12V	1.2W	Green	150-180	3.3" x 0.75" x 0.30"
DTH-MODULE-1.2W-BLUE	12V	1.2W	Blue	150-180	3.3" x 0.75" x 0.30"
DTH-MODULE-1.4W-3000K	12V	1.44W	White	240	2.9" x 0.75" x 0.30"
DTH-MODULE-1.4W-6500K	12V	1.44W	White	240	2.9" x 0.75" x 0.30"



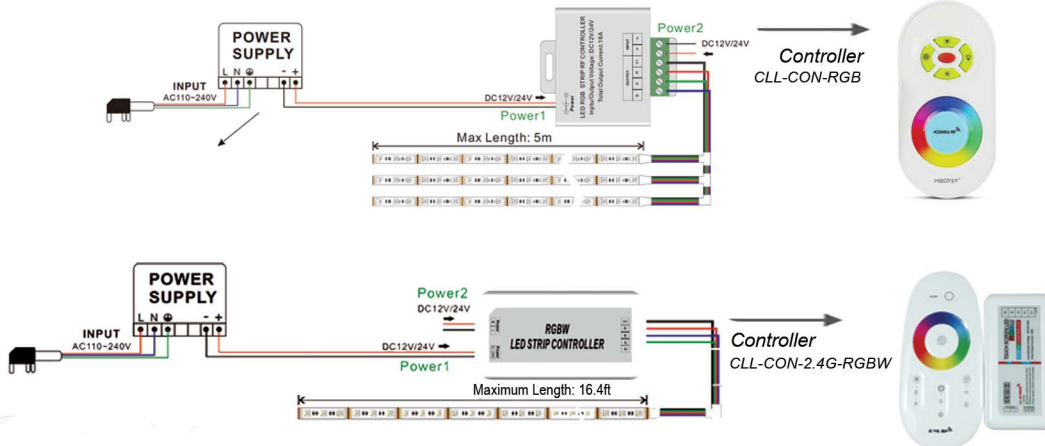
APPLICATIONS

The FX60-RGB and FX60-19RGBWW series are flexible LED strip lights that are the perfect solution for a wide variety of architectural and accent lighting applications including cove lighting, under-cabinet lighting, back-lighting, pathway lighting and decorative lighting. Our flexible LED strip lights are made with a factory soldered lead on one end of a 16.4' reel and allow you to cut pieces to the exact length that you need.

FEATURES

- * LED count: 60 per meter (18 per foot)
- * Suggested driver: Meanwell LPV-100-24
- * Luminous flux : **FX60-RGB**: 32 lm - 1920 LU per reel
FX60-19RGBWW: 88 lm-8360 LU per reel (white @2700K)
- * Length: **FX60-RGB**: 5m / 16.4ft. 12mm width (IP65), 10mm (IP20)

WIRING



FX60-RGB

FX60-19RGBWW

WARRANTY & DETAILS

- * Input voltage: DC 24V
- * Energy grade A
- * Power Consumption: **FX60-RGB**: 12 watts per 3.3 ft
FX60-19RGBWW : 19 Watts per 3.3 ft
- * Illumination Angle 120°
- * IP65 - Silicone top layer / IP20- no top layer
- * Tested in accordance with IESNA LM 80
- * UL Listed
- * 3-year warranty
- * Lead free technology (ROHS)
- * Working hour 50,000 hours
- * SMD LED spacing: 0.65"- 16.6 mm
- * PCB Width 10mm - IP20 / 12mm - IP 65
- * Best Color Consistency (SDCM<3)
- * Color temperature with 80 >CRI
- * Double circuit board for better electric stability
- * Soldering free connector for convenient installation
- * Suggested controller: **FX60-RGB**: CLL-CON-RGBW
FX60-19RGBWW: CLL-CON-2.4G-RGBW 5 channels

ORDERING INFORMATION

PART #	LED	Lumens per watt	POWER	Lumens per roll
CLL-5050FX60-RGB-IP65	RGB	32 lm	3.66W/ FT – 60W/roll	1920 LU
CLL-5050FX60-RGB-IP20	RGB	32 lm	3.66W/ FT – 60W/roll	1920 LU

PART #	LED	Lumens per watt	POWER	Lumens per roll
CLL-5050FX60-19RGBWW	RGBWW	88 lm	5.79W/ FT – 95W/roll	8360 LU

TAPE LIGHT DRIVERS



**PWM-60-12
PWM-120-12**



LPV-60-12



**HLG-150H-12
HLG-240H-12**

PART #	PWM-120-12	PWM-60-12	LPV-60-12	HLG-150H-12	HLG-240H-12
DC Voltage	12V	12V	12V	12V	12V
Rated Current	10A	5A	5A	12.5A	16A
Rated Power	120W	60W	60W	150W	240W
Water Protection	IP 67	IP 67	IP 67	IP 67	IP67
Dimming capability	YES	YES	NO	NO	NO
Dimming capability	0-10V	0-10V	N/A	N/A	N/A
Voltage Range	90-305 VAC	90-305 VAC	90-240 VAC	90-305 VAC	90-305 VAC
AC Current (Type) 115V	1.3A	0.8A	1.2 A	1.7A	4A
AC Current (Type) 230V	0.65 A	0.4 A	1 A	0.75A	2A
AC Current (Type) 277V	0.55 A	0.32 A	N/A	0.7A	1.2A
Dimension	7.5" x 2.5" x 1.5"	5.9" x 2.1" x 1.38"	6.4" x 1.7" x 1.25"	8.97" x 2.68" x 1.53"	9.6" x 2.68" x 1.53"
Warranty	5 years	5 years	2 years	5 years	5 years



**PWM-60-24
PWM-120-24**



**LPV-60-24
LPV-100-24**



**DR-CV-80
DR-CV-40**

PART #	PWM-120-24	PWM-60-24	LPV-60-24	LPV-100-24	DR-CV-80	DR-CV-40
DC Voltage	24V	24V	24V	24V	24V	24V
Rated Current	5A	2.5A	2.5A	4.2A	3.3 A	1.6A
Rated Power	120W	60W	60W	100W	80W	40W
Water Protection	IP 67	IP 67	IP 67	IP 67	IP 20	IP 20
Dimming capability	YES	YES	NO	NO	YES	YES
Dimming capability	0-10V	0-10V	N/A	N/A	Triac	Triac
Voltage Range	90-305 VAC	90-305 VAC	90-240 VAC	90-240 VAC	90-130VAC	90-130VAC
AC Current (Type) 115V	1.3A	0.8A	1.2 A	2.2A	1.1A	.47A
AC Current (Type) 230V	0.65 A	0.4 A	1 A	1.2A	N/A	N/A
AC Current (Type) 277V	0.55 A	0.32 A	N/A	N/A	N/A	N/A
Dimension	7.5" x 2.5" x 1.5"	5.9" x 2.1" x 1.38"	6.4" x 1.7" x 1.25"	7.5" x 2.04" x 1.45"	6.7" x 1.97" x 1.22"	5.25" x 1.75" x 1.22"
Warranty	5 years	5 years	2 years	2 years	3 years	3 years



Frosted Clear



APPLICATIONS

These LED T8 lamps replace conventional fluorescent lamps in existing fixtures and are all dual-ended bypass, which means they are hot on both ends. They offer significant energy-efficiency and lifetime improvements over fluorescent lamps, and require bypassing the existing fluorescent ballasts, and hard-wiring tombstone lamp-holders directly to incoming AC power leads. Dual-ended bypass lamps eliminate the need to replace shunted tombstone lamp holders in existing fluorescent fixtures.

FEATURES

- * Color temperature : 4000K, 5000K and 5700K available depending on model
- * Long-life LEDs provide 50,000 hours of operation
- * Aluminum housing for improved heat dissipation
- * Universal 120-277 AC voltage (50-60Hz) is standard
- * Suitable for dry location only
- * Power factor > 0.90
- * Beam Angle: 120 degrees
- * Color rendering index > 80
- * Easy installation in new construction or retrofit
- * Working temperature: -4 F +122 F
- * Ballast Bypass double ended wiring

ORDERING INFORMATION

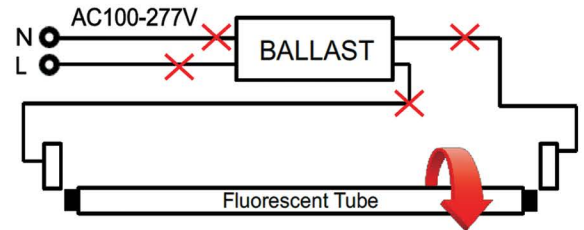
PART #	Color Temp	Lumens	Lens	Lumen/watt	Wattage	Pin/ base option	Operation	Length	Voltage
CLL-T8LO-4FTB-18-5K-F	5000K	1,980	Frosted	110	18	Double pin	Double ended power Ballast bypass	4ft	AC 100-277V
CLL-T8LO-4FTB-18-5K-C	5000K	1,980	Clear	110	18	Double pin		4ft	AC 100-277V
CLL-T8LO-4FTB-18-4K-F	4000K	1,980	Frosted	110	18	Double pin		4ft	AC 100-277V
CLL-T8LO-4FTB-18H-5.7K-C	5700K	2,340	Clear	130	18	Double pin		4ft	AC 100-277V
CLL-T8LO-8FTB-40(FA8)-5K-F	5000K	4,400	Frosted	110	40	Single pin	Double ended power Ballast bypass	8ft	AC 100-277V
CLL-T8LO-8FTB-40(FA8)-5K-C	5000K	4,400	Clear	110	40	Single pin		8ft	AC 100-277V
CLL-T8LO-8FTB-40(FA8)-5.7K-C	5700K	6,000	Clear	150	40	Single pin		8ft	AC 100-277V
CLL-T8LO-8FTB-40(R17D)-5K-F	5000K	5,200	Frosted	130	40	R17D oval		8ft	AC 100-277V

WARRANTY & DETAILS

- * ETL Listed
- * DLC Listed
- * Complies with FCC Part 15, Class A
- * Complies with RoHS (Restriction on Hazardous Substances) requirements
- * 5-year warranty on all electronics and housing

RETROFIT PROCEDURE

(A) Before



(B) After





APPLICATIONS

Create a custom lighting set-up in your kitchen, workshop or office with this set of four modern LED puck lights. They're an energy efficient choice in a aviation aluminum finish that blends in seamlessly. Available in 3K and 4K

FEATURES

- * 18 SMD2535 Leds
- * Lumen: 150-180 lm
- * Voltage power: DC12V
- * Color temperature: 3K and 4K
- * Thick aluminum 6063 aluminum alloy shell
- * Soft translucent mask

ACCESSORIES



One power supply with 4 ports, more convenient to install.

- * *CLL-PUCKLIGHT-CONNECTOR: 1 to 4 distributor with DC female connector*
- * *CLL-DR-12W-12V-P: 12V , 12W power supply*

ORDERING INFORMATION

PART #	LUMENS	WATTS	WORKING VOLTAGE	COLOR TEMP
CLL-PUCKLIGHT-3K	150	2.5W	DC12	3K
CLL-PUCKLIGHT-4K	180	2.5W	DC12	4K

WARRANTY & DETAILS

- * *UL Listed for wet locations*
- * *3- year warranty of all electronics and housing*

DIMENSIONS



HOUSING

- * *Aviation 6063 aluminum*



APPLICATIONS

The LEDUC series is an economical line of undercabinet fixtures for use in kitchens, retail displays and covers. It is triac dimmable. Standard with a painted steel housing and polycarbonate lens, the LEDUC provides durability and high performance. High-efficacy, long-life LEDs provide both energy and maintenance cost savings compared to traditional, incandescent or fluorescent undercabinet fixtures.

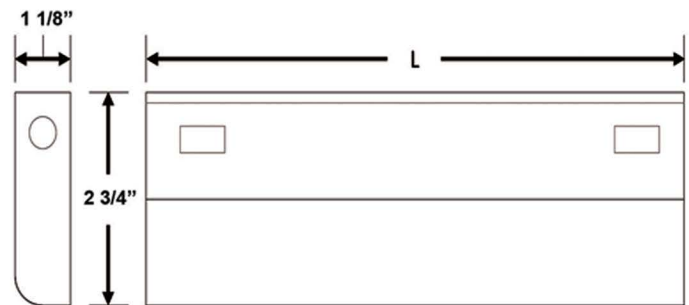
FEATURES

- * 3CCT tunable (3K, 4K and 5K) selectable switch
- * Long-life LEDs provide at least 50,000 hours of operation with at least 70% of initial lumen output (L70)
- * Delivers from 320 to 1,660 lumens & 80 to 85 lumens per watt
- * 120V (50-60Hz), triac dimmable
- * Total harmonic distortion < 20%
- * On-off switch
- * Color rendering index > 80
- * 109 degree beam angle
- * Painted steel housing and polycarbonate lens
- * Tool-less access to LED channel and wiring enclosure
- * Knockouts on sides and back simplify electrical connections
- * Key hole slots provide for easy installation in new construction or retrofits

WARRANTY & DETAILS

- * ETL listed. Listed for damp locations. Suitable for ambient temperatures from -20°C to 40°C (-4°F to 104°F)
- * Complies with RoHS (Restriction on Hazardous Substances) requirements
- * Complies with FCC Part 15, class B
- * 5-year warranty on all electronics and housing

DIMENSIONS



ORDERING INFORMATION

PART #	Color Temp	Lumens	Lumen/watt	Wattage	Length	Voltage	Dimming
CLL-LEDUC-9-3CCT	3K,4K,5K	320	80	4	9"	120V	Yes
CLL-LEDUC-12-3CCT	3K,4K,5K	400	80	5	12"	120V	Yes
CLL-LEDUC-18-3CCT	3K,4K,5K	650	82	8	18"	120V	Yes
CLL-LEDUC-24-3CCT	3K,4K,5K	850	85	10	24"	120V	Yes
CLL-LEDUC-33-3CCT	3K,4K,5K	1,250	83	15	33"	120V	Yes
CLL-LEDUC-42-3CCT	3K,4K,5K	1,660	83	20	42"	120V	Yes

KELVIN SELECTABLE VAPOR TIGHT LIGHT

FIXED KELVIN VAPOR TIGHT LIGHT



APPLICATIONS

The DTH-VP is a surface-mounted LED light available in 4 and 8 ft, designed to prevent the intrusion of moisture and dust. This high-efficacy light provides long-life and uniform illumination, as well as standard 0-10vdc dimming capability. Tunable 3-CCT (3500K, 4000K, 5000K) and Tunable 3-Wattage (4-FT, 34W, 38W, 45W) or (8-FT, 65W, 75W, 90W). Operating temperatures -40°F to 104°F (-40°C to 40°C).

FEATURES

- * Color temperature : Tunable CCT 35K, 4K and 5K
- * Wattage selectable 4 ft: 34W, 38W and 45W
- * Wattage selectable 8 ft: 65W, 75W and 90W
- * Lumens per watt: 130 Lm/W
- * Lumens 4 ft: 4420 (34W), 4940 (38W), 5850 (45W)
- * Lumens 8 ft: 8450 (65W), 9750 (75W), 11700 (90W)
- * Long-life LEDs provide 75,000 hours of operation
- * Universal 120-277 AC voltage (50-60Hz) is standard
- * Suitable for damp location
- * Power factor > 0.90
- * Color rendering index > 82
- * Working temperature: -40 F +104 F
- * 0-10V dimming capability
- * Anti-UV frosted prismatic polycarbonate lens

WARRANTY & DETAILS

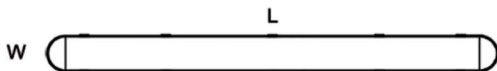
- * UL Listed Passes
- * FCC class A
- * DLC Listed
- * 5-year warranty of all electronics and housing

ACCESSORIES - SOLD SEPARATELY

- * BLD-CM20N-8W Emergency back-up - 4 Ft
- * BLD-CM20N-15W Emergency back-up - 8 Ft

DIMENSIONS

A: 4 FT = 47.8" - 8ft= 95.6" W= 3.85"



ORDERING INFORMATION

PART #	LENGTH	Color Temp	Lumen/watt	Wattage selectable	Dimensions
DTH-VP4FT343845W27-3545K-G	4FT	CCT: 35K,4K,5K	135	34,38,45 W	3.5" x 49.8"
DTH-VP8FT657590W27-3545K-G	8FT	CCT: 35K,4K,5K	135	65,75,90 W	3.5" x 94.5"



APPLICATIONS

The CLL-TPL3 is a surface-mounted vapor tight LED light, which are designed to prevent the intrusion of moisture and dust. It provides general ambient lighting and is the perfect choice for both new construction and retrofits. This high-efficacy light provides long-life and uniform illumination, as well as standard 0-10vdc dimming capability. Available in 4ft and 8 ft lengths.

FEATURES

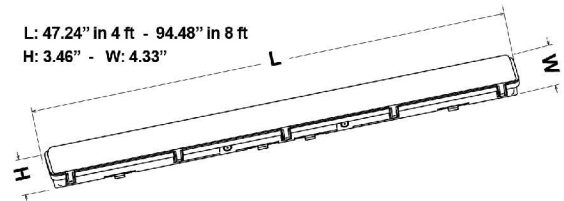
- * Fosam Driver,
- * 140 Lu/W
- * 5,600 Lumens in 4Ft, 9,800 Lumens in 8 Ft
- * Color temperature : 5000K
- * Long-life LEDs provide 50,000 hours of operation
- * Universal 120-277 AC voltage (50-60Hz) is standard
- * Power factor > 0.95
- * Beam Angle: 120 degrees
- * Color rendering index > 80
- * Waterproof rating: IP 65
- * 0-10V dimming capability

WARRANTY & DETAILS

- * ETL listed
- * DLC Premium 5.1 Listed
- * 5-year warranty of all electronics and housing

DIMENSIONS

L: 47.24" in 4 ft - 94.48" in 8 ft
H: 3.46" - W: 4.33"

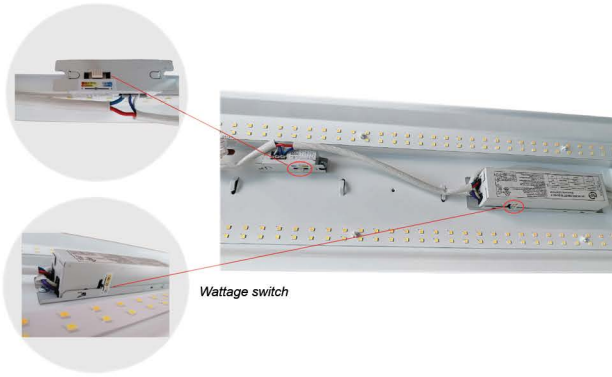


ACCESSORIES - SOLD SEPARATELY

- * BLD-CM20N-8W Emergency back-up - 4 Ft
- * BLD-CM20N-15W Emergency back-up - 8 Ft

ORDERING INFORMATION

PART #	Color Temp	Lumens	Lumen/watt	Wattage
CLL-TPL3-4T40W-50	5000k	5,600	140	40
CLL-TPL3-8FT70W-50	5000k	9,800	140	70



APPLICATIONS

This 4ft LED wrap around fixture is the ideal multipurpose light for both front and back of the house applications. The prismatic lens prevents glare while filtering an even flow of light. Essential in restrooms, stocking areas, hallways, or anywhere a surface mounted enclosed fixture is needed. Manufactured with a slim profile design and lightweight frame for easy install. Knockouts are available for both end caps and the driver cover for surface mounting applications and accessories such as optional occupancy sensors. The UV treated prismatic poly-carbonate lens is shatterproof and lightweight. Additional space is available for emergency driver applications.

FEATURES

- * CCT Selectable : 35K, 4K, 5K
- * Wattage selectable 30W, 35W, 40W
- * Light source: High efficiency Seoul chips
- * Driver: Simon Power
- * Long-life LEDs provide at least 75,000 hours of operation with at least 70% of initial lumen output (L70)
- * Universal 120-277 AC voltage (50-60Hz) is standard
- * Total harmonic distortion < 20%
- * Lighting angle: 101 degrees
- * Color rendering index > 80
- * Suitable for ambient temperatures from -4 F to 122 F

ORDERING INFORMATION

WARRANTY & DETAILS

- * UL certification, UL Class 2
- * DLC Premium listed
- * Complies with RoHS (Restriction on Hazardous Substances) requirements
- * Complies with FCC Part 15, class B
- * Surge protection (2.5kV)
- * 5-year warranty

ACCESSORIES -SOLD SEPARATELY

- * BLD-CM20N8W Emergency back-up
- * OCC Sensor

DIMENSIONS



PART #	CCT Color Temp	Lumens	Lumen/watt	Wattage	Length
DTH-RP4FT-3040W-CCT	35K, 4K, 5K	4110 / 4690 / 5240	130	30w/35W/40W	4 ft



APPLICATIONS

This Motion Sensor Security Light is a durable rugged, waterproof and an energy-efficient fixture. It has a wide detection range of up to 70ft and a 150° pattern. The adjustable design of this Security Light allows you to pivot each light head to the desired direction. It has two adjustable control switches available to meet your requirements. The Timer switch is adjustable from 5 seconds to 10 minutes after motion sensor is triggered. Then the sensitivity switch allows you to adjust the range and sensivity of the sensor to detect motion.

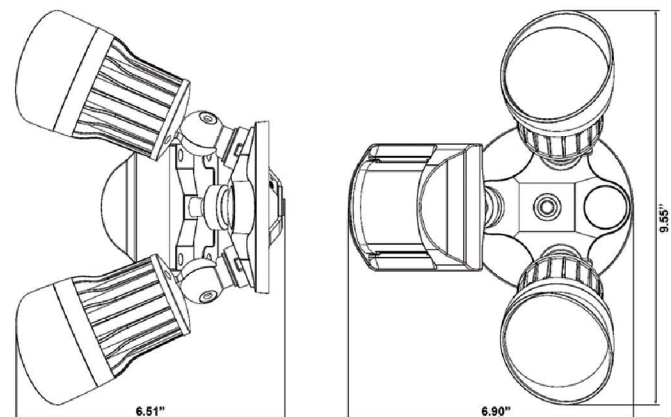
FEATURES

- * Standard in 3000K and 5000K color temperature
- * Long-life LEDs provide 50,000 hours of operation with at least 70% of initial lumen output (L70)
- * 3K Model is 110 LPW @ 2200 Lumens
- * 5K Model is 115 LPW @ 2360 Lumens
- * Operates on 120 AC voltage (60Hz)
- * SMD2835 Chips
- * Power factor > 0.90
- * Color rendering index > 80
- * Die cast aluminum housing with durable, dark bronze powder coat paint. Light and finish endurance tested to withstand 3,000 hours of elevated ambient salt fog conditions as defined in ASTM Standard B 117
- * Glass lens is sealed and gasketed to prevent leaks
- * Easy installation in new construction or retrofit

WARRANTY & DETAILS

- * cETLus listed for wet locations in ambient temperatures from -40°F to 122°F
- * Energy Star approved
- * Complies with RoHS (Restriction on Hazardous Substances) requirement
- * 5-year warranty on all electronics and housing

DIMENSIONS



ORDERING INFORMATION

PART#	Color Temp	Lumens	Lumens /watt	Wattage
CLL-SL-102-20W-3K	3000k	2,200	110	20
CLL-SL-102-20W-5K	5000K	2,360	115	20



APPLICATIONS

This Landscape bullet light series is an ideal solution for general site, landscape, sign and pathway lighting. Constructed of a die cast aluminum housing, and a polycarbonate lens with seamless silicone gasket to prevent leaks, it will stand up to many years of punishing environmental conditions. These fixtures are kelvin selectable 3k, 4k and 5k with a 45 degree narrow beam angle, which makes them the perfect accent light..

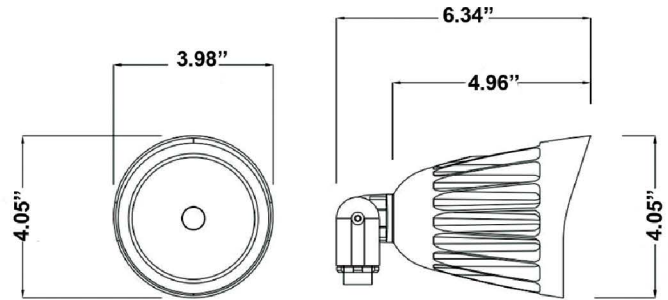
FEATURES

- * Color temperature: 3000K, 4000K, 5000K selectable
- * Available in 13w and 25 W
- * Long-life LEDs provide 50,000 hours of operation with at least 70% of initial lumen output (L70)
- * Waterproof rating: IP65
- * Universal 100-277 VAC input
- * Phillips Lumiled 2835 chips
- * Dimmable 0-10V standard
- * Power factor > 0.90
- * Color rendering index > 80
- * Die cast aluminum housing with durable, Dark bronze powder coat paint.
- * Polycarbonate lens
- * Beam Angle: 45 degrees
- * Easy installation in new construction or retrofit

WARRANTY & DETAILS

- * UL listed
- * Energy Star approved
- * 5-year warranty on all electronics and housing

DIMENSIONS



MOUNTING OPTIONS

- * Threaded pipe (NPT 1/2"), which attaches to a junction box, is standard
- * Optional spike-mount (DTH-LNDSL-BS) for ground mounting - sold separately
- * Optional canopy-mount (CLL-FL17-PLATE) for attachment to flat surface. Enclosure is sealed with a water-tight, silicon rubber gasket - sold separately



ORDERING INFORMATION

PART #	CCT Color Temp	Wattage	Lumens			Lumens per Watt			Mounting options
			30K	40K	50K	30K	40K	50K	
CLL-FL17-13W-CCT	30K, 40K, 50K	13	1,755	1950	1820	135	150	140	Canopy Mount CLL-FL17-PLATE
CLL-FL17-25W-CCT	30K, 40K, 50K	25	3,250	3625	3375	130	145	135	Spike mount DTH-LNDSL-BS



MPAL 15W, 30W, 50W

- * Available in 3000k, 4000K & 5000K color temperatures
- * Long-life LEDs provide 30,000 hours of operation with at least 70% of initial lumen output (L70)
- * Standard optic provides a 60 x 120 degree beam angle
- * Samsung LED chips
- * Premium CLL driver
- * 0-10V dimmable
- * Universal 120-277 AC voltage (50-60Hz) is standard
- * Power factor > 0.90
- * Total harmonic distortion < 20%
- * -30 F to + 45 F operating temperature

WARRANTY & DETAILS

- * ETL listed
- * IP65 wet location rated
- * Complies with ROHS requirements
- * 5-year warranty on all electronics and housing

MOUNTING OPTIONS

- * Aluminum die-cast knuckle-mount option for installation on a junction box. Includes 1/2" NPS stem with locking nut

ACCESSORIES -SOLD SEPARATELY

- * Optional spike-mount (DTH-LNDSL-BS) for ground mounting
- * Optional canopy-mount (DTH-LNDSL-CNY-KIT) for attachment to flat surface (sold separately)

ORDERING INFORMATION

PART #	Color Temp	Lumens	Lumen /watt	Watt	Mounting Options	Options (sold separately)
CLL-MPAL-15W-3K	3000K	2,100	140	15	K: Knuckle Mount	Spike Mount: DTH-LNDSL-BS
CLL-MPAL-15W-4K	4000K	2,100	140	15		Slip fitter to 1/2" adapter: LF-AD-KNU
CLL-MPAL-30W-3K	3000K	4,700	140	30		Canopy Mount: DTH-LNDSL-CNY-KIT
CLL-MPAL-30W-4K	4000K	4,700	140	30		
CLL-MPAL-30W-5K	5000K	4,700	140	30		
CLL-MPAL-50W-3K	3000K	7,000	140	50		
CLL-MPAL-50W-4K	4000K	7,000	140	50		
CLL-MPAL-50W-5K	5000K	7,000	140	50		



MPAL 30W, 50W CCT

- * **Color temperature: 3K, 4K & 5K selectable**
- * 30W and 50W available
- * NO UV or IR in the beam
- * Universal 120-277 AC voltage (50-60Hz) is standard
- * EPA: 0.42 ft
- * Power factor > 0.90
- * Total harmonic distortion < 20%
- * Color rendering index > 80
- * Die cast aluminum housing with durable, dark bronze powder coat finish—at least 2 mils thick on all surfaces—and a heat-resistant polycarbonate lens
- * Wireway enclosure is sealed with a water-tight, silicon rubber gasket
- * Easy installation in new construction or retrofit applications



WARRANTY & DETAILS

- * DLC Premium
- * cULus listed for wet locations in ambient temperatures from (-22°F to 113°F)
- * IP65 rated for ingress protection
- * Complies with FCC Part 15, class B
- * 5-year warranty on all electronics and housing

ORDERING INFORMATION

PART #	CCT Color Temp	Wattage	Lumens			Lumens per Watt			Mounting
			30K	40K	50K	30K	40K	50K	
CLL-MPAL-30W-CCT	30K, 40K, 50K	30	3,900	3,960	4,020	130	132	134	Knuckle
CLL-MPAL-50W-CCT	30K, 40K, 50K	50	6,500	6,650	6,800	130	133	136	



The CLL-MPAL-100W is a premium architectural LED area light designed to illuminate parking areas, pathways, building facades, loading docks, and a wide variety of other large, general site lighting applications. Multiple mounting options make the MPAL a versatile luminaire for flood lighting, pole, ground and wall-mounted area lighting and other outdoor lighting requirements.

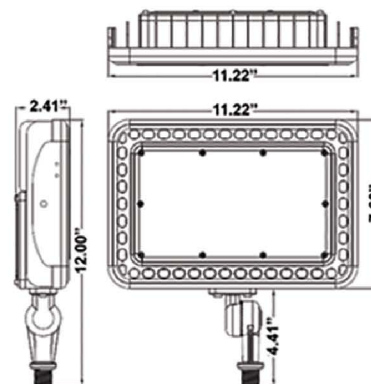
- * Available in 5000k color temperature
- * 140 LPU = 14,000 Lumens at 5000K
- * Long-life LEDs provide 30,000 hours of operation with at least 70% of initial lumen output (L70)
- * Beam angle 60x120
- * Universal 120-277 AC voltage (50-60Hz) is standard
- * Power factor > 0.90
- * Total harmonic distortion < 20%
- * Color rendering index > 80
- * Die cast aluminum housing with durable, dark bronze powder coat finish
- * Wireway enclosure is sealed with a water-tight, silicon rubber gasket
- * Easy installation in new construction or retrofit applications

ACCESSORIES - SOLD SEPARATELY

- * Optional spike-mount (CLL-LNDSL-BS) for ground mounting
- * Optional canopy-mount (CLL-LNDSL-CNY-KIT) for attachment to flat surface.

- * ETL Listed
- * IP65 rated
- * Lens is IK 8 rated for protection from external impacts
- * Complies with FCC Part 15, class B
- * 5-year warranty on all electronics and housing

- * Aluminum die-cast knuckle-mount option for installation on a junction box. Includes 1/2" NPS stem with locking nut



ORDERING INFORMATION

PART #	Color Temp	Lumens	Lumen/watt	Watt
CLL-MPAL-100W-5K	5000K	14,000	140	100



APPLICATIONS

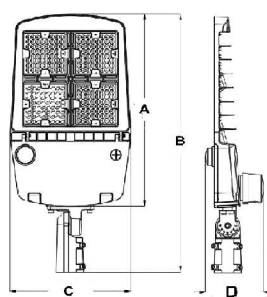
The Legacy 2 Area light is a group of premium architectural LED lights designed to illuminate parking areas, pathways, building facades, loading docks and a wide variety of other large general site lighting applications. Multiple mounting options make the Legacy 2 Area Light a versatile light for flood lighting, pole, ground and wall mounted area lighting.

FEATURES

- * Standard in 5000K.
- * Universal 100-277 AC voltage (50-60 Hz)
- * 173 Lu/W for 21L, 172 Lu/W for 41L and 51L
- * 20,760 Lu (21L) ; 41,280 Lu (41L) ; 51,600 Lu (51L)
- * Philips Lumileds LED chips and premium SOSEN driver
- * Integrated sensor receptacle
- * The light distribution is field adjustable
- * IP65
- * Die cast aluminum housing with 2 mil dark bronze powder coat finish and heat resistant polycarbonate lens

MOUNTING OPTIONS & DIMENSIONS

* Trunnion and Slip-fitter mounting accessories are adjustable up to 90 Degrees in both directions



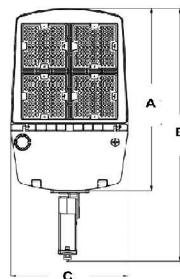
Slip fitter mount

Dimensions Slip fitter 21L

A: 24.18" B: 31.97"
C: 15.60" D: 5.15"

Dimensions Slip fitter 41L/51L

A: 24.18" B: 31.97"
C: 15.60" D: 6.38"



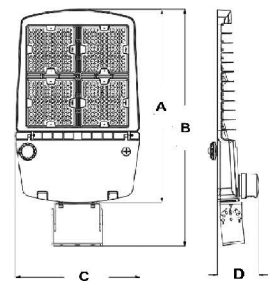
Direct mount

Dimensions Direct Mount 21L/41L/51L

A: 24.18" B: 33.57"
C: 15.60" D: 7.51"

Dimensions Trunnion Mount 21L/41L/51L

A: 24.18" B: 29.61"
C: 15.60" D: 5.15"



Trunnion mount

ORDERING INFORMATION

PART #	Color Temp	Lumens	Lumen/watt	Wattage	Mounting & Sensor options
CLL-LGCY2-21L-27-50K	5000K	20,760	173	120	Trunnion Mount: CLL-LGCY-TR
CLL-LGCY2-41L-27-50K	5000K	41,280	172	240	Direct Mount: CLL-LGCY-DMT
CLL-LGCY2-51L-27-50K	5000K	51,600	172	300	Slip Fitter Mount: CLL-LGCY-SF
Sensor option: ANT-5-4T Sold Separately					



APPLICATIONS

The Legacy 2 Area light is a group of premium architectural LED lights designed to illuminate parking areas, pathways, building facades, loading docks and a wide variety of other large general site lighting applications. Multiple mounting options make the Legacy 2 Area Light a versatile light for flood lighting, pole, ground and wall mounted area lighting.

FEATURES

- * CCT Selectable 3K, 4K, 5K
- * Wattage selectable
- * 25LS-27 and 52LS-27 are 100-277 AC voltage (50-60 Hz)
- * 25LS-48 and 52LS-48 are 200-480 AC voltage (50-60 Hz)
- * Philips Lumileds LED chips and premium SOSEN driver
- * Integrated sensor receptacle
- * Die cast aluminum housing with 2 mil dark bronze powder coat finish and heat resistant polycarbonate lens

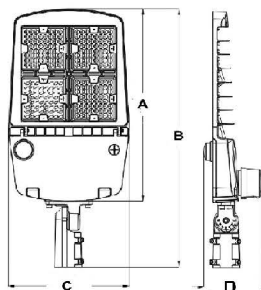
WARRANTY & DETAILS

- * UL listed.
- * DLC premium listed.
- * IP65 "wet location" rated.
- * Flicker free per IEEE 1789-2015 (no observable adverse effects of flicker at 100% light output level).
- * 5-year warranty on all electronics and housing.

- * The light distribution is field adjustable
- * Power factor > 0.90
- * 20KV surge protector
- * EPA: 2.45 Ft2
- * Total harmonic distortion <20%.
- * Color rendering Index >80.
- * Wireway enclosure is sealed with a water-tight, silicone rubber gasket
- * 0-10V dimmable
- * Optional occupancy sensor: ANT-5-4T sold separately

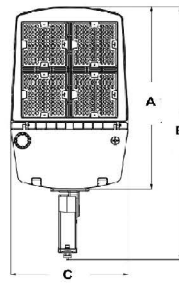
MOUNTING OPTIONS & DIMENSIONS

* Trunnion and Slip-fitter mounting accessories are adjustable up to 90 Degrees in both directions



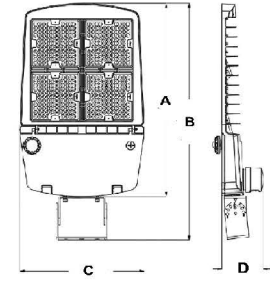
Dimensions Slip fitter
25LS-27 / 25LS48
A: 19.77" B: 26.58"
C: 12.40" D: 6.01"

Dimensions Slip fitter
52LS-27 / 52LS-48
A: 24.18" B: 31.98"
C: 15.60" D: 6.38"



Dimensions Direct Mount
25LS-27 / 25LS48
A: 19.81" B: 19.15"
C: 12.40" D: 7.81"

Dimensions Direct Mount
52LS-27 / 52LS-48
A: 24.18" B: 33.57"
C: 15.60" D: 7.51"



Trunnion mount

Dimensions Trunnion Mount

25LS-27 / 25LS48
A: 19.81" B: 25.29"
C: 12.40" D: 6.01"

52LS-27 / 52LS48
A: 24.18" B: 29.61"
C: 15.60" D: 5.15"

ORDERING INFORMATION

PART #	CCT	Lumens @ Wattage			Mounting options	Sensor Option: Sold separately
		100W	120W	150W		
CLL-LGCY2-25LS-27-CCT	3000K	15,200	18,240	22,800	Trunnion Mount: CLL-LGCY-TR	ANT-5-4T
CLL-LGCY2-25LS-48-CCT	4000K	17,100	20,520	25,650	Direct Mount: CLL-LGCY-DMT	
	5000K	15,900	19,080	23,850	Slip Fitter Mount: CLL-LGCY-SF	
		200W	240W	300W		
CLL-LGCY2-52LS-27-CCT	3000K	30,400	36,480	45,600	Trunnion Mount: CLL-LGCY-TR	ANT-5-4T
CLL-LGCY2-52LS-48-CCT	4000K	34,600	41,520	51,900	Direct Mount: CLL-LGCY-DMT	
	5000K	31,800	38,160	47,700	Slip Fitter Mount: CLL-LGCY-SF	

CANOPY LIGHTS

CLL-CN301D 45W or 70W



- * 45W model is 5,180 lumens at 115 Lm/W in 5000K
- * 70W is 8,020 Lumens at 114 Lm/W in 5000K
- * Universal 100-277V AC input voltage
- * Long-life LEDs with 50,000 hours of operation
- * 0-10V dimming capability
- * Light fixture and finish endurance tested to withstand 3000 hours of elevated ambient salt fog conditions as defined in ASTM Standard B 117
- * Die Cast aluminium housing with durable dark bronze powder coat paint and a polycarbonate lens
- * High efficiency LED Driver and power factor > 0.90
- * Total harmonic distortion <20%
- * Color rendering Index >80
- * Dimensions: 9.6" x 9.6" x 3.42"



WARRANTY & DETAILS

- * UL listed
- * DLC listed
- * Meets FCC part 15 standards
- * IP65 wet location rated
- * 5-year warranty on all electronics and housing
- * -40 F to 122 F operating temperature.

PART #	Color Temp	Lumens	Lumen/watt	Wattage
CLL-CN301D-45W-5K	5000K	5,180	115	45
CLL-CN301D-70W-5K	5000K	8,020	114	70

DTH-CNPYSQ-150W



- * Standard in 5000K
- * 100-277V AC input voltage (50-60Hz)
- * 150W provides 19,500 lumens at 130 Lu/W in 5000K
- * Philips Lumileds LED chips
- * Premium Mean Well driver
- * Die cast aluminum housing with durable white powder coat finish with at least 2 mils thick on all surfaces and a heat resistant polycarbonate lens
- * Power factor > 0.90
- * Total harmonic distortion <20%
- * Color rendering Index >80
- * Easy installation in new construction or retrofit
- * Dimensions: 15" x 15" x 3.3"



WARRANTY & DETAILS

- * UL listed
- * DLC listed
- * IP65 wet location rated
- * 5-year warranty on all electronics and housing.

PART #	Color Temp	Lumens	Lumen/watt	Wattage
DTH-CNPYSQ-150W	5000K	19,500	130	150

PG07 SELECTABLE CANOPY LIGHT



- * Color temperature tunable : 3K, 4K and 5K
- * Wattage selectable: 30W/45W/60W
- * Philips Lumileds 2835
- * Lumens: 131 Lm/W @ 7860 Lumens in 3K ; 145 Lm/W @ 8700 Lumens in 4K and 140 Lu/w @ 8400 Lm in 5K
- * Universal 100-277V AC input voltage
- * Dimmable with 0-10V
- * Light fixture and finish endurance tested to withstand 3000 hours of elevated ambient salt fog conditions as defined in ASTM Standard B 117
- * Die Cast aluminium housing with durable dark bronze powder coat paint. Clear stripped PC diffuser
- * High efficiency LED Driver ; Color rendering Index >80
- * Power factor > 0.90 ; Total harmonic distortion <20%



WARRANTY & DETAILS

- * UL listed and DLC premium listed
- * IP65 rating
- * 5-year warranty on all electronics and housing
- * -40 F to 122 F operating temperature.

MOTION SENSOR

- * Motion sensor UH-MMS-01 optional - sold separately

PART #	CCT Color Temp	Lumens	Lumen/watt	Wattage Selectable
CLL-PG07	3000K	7,860	131	30W/45W/60W
	4000K	8,700	145	30W/45W/60W
	5000K	8,400	140	30W/45W/60W

LED STREET LIGHT

SOLAR LED STREET LIGHT



100W & 150W STREET LIGHT
DTH-STRT-100 or 150W

APPLICATIONS

These 100w and 150W street lights are used in outdoor lighting (wet location). They provide uncompromising optical performance and outstanding versatility for a wide variety of outdoor area and roadway applications. This fixture features a built in photocell receptacle and a shorting cap, with the photocell sold separately

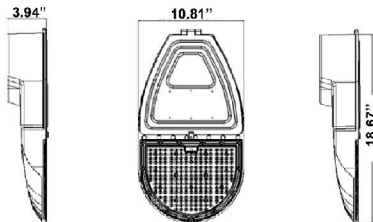
FEATURES

- * Standard in 5000K
- * 15000 LM @ 100W - 22500 LM @ 150W
- * Universal 100-277V AC (50-60 Hz) input standard
- * Philips Lumileds LED chips
- * High efficiency Sosen LED Driver
- * Die Cast aluminium cooling design and PC lens
- * Power factor > 0.95
- * Total harmonic distortion <20%
- * Color rendering Index >70

WARRANTY & DETAILS

- * UL listed
- * Complies with FCC part 15, class A
- * DLC listed
- * Wet location rated
- * 5-year warranty on all electronics and housing.

DIMENSIONS



ORDERING INFORMATION

PART #	Color Temp	Lumens	Lumen/watt	Wattage	Voltage
DTH-STRT-100W-5K	5000K	15,000	150	100	100-277V
DTH-STRT-150W-5K	5000K	22,500	150	150	100-277V
DTH-LS-50W	5000K	5,000	100	50	12V 20AH
DTH-LS-70W	5000K	7,000	100	70	12V 50AH

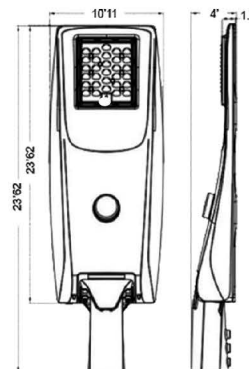


SOLAR STREET LIGHT
DTH-LS-50 or 70W

This Solar LED street light includes a motion sensor and a smart controller. It is designed for remote areas and can be mounted on 12-16 ft poles. No cable or power needed. 500 times charge and discharge deep cycle battery included. This solar light works 3-4 days continuously during rainy days when intelligent mode is selected.

- * Standard in 5000K
- * 5000 Lm @ 50W - 7000 LM @ 70W
- * 18650 Lithium battery 12V 50Ah
- * Philips 5050 LED chips
- * Beam angle: 150.7 degree
- * Solar panel: 50 or 70W / 18V monocrystalline silicon
- * Light control+ sensor
- * Installation height: 12-16 Ft
- * Color rendering Index >80
- * Easy installation in new construction or retrofit

- * 12V DC ROHS certification
- * IP66 "wet location" rated
- * 5-year warranty on all electronics and housing.



DUSK TO DAWN BARN LIGHT

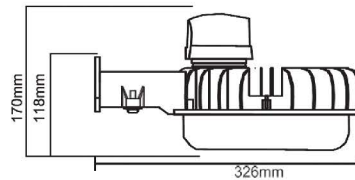


- * Standard in 5000k color temperature
- * Long-life LEDs with 50,000 hours of operation
- * Lumileds 3030 LED Chips
- * Universal 100-277 AC voltage (50-60 Hz)
- * Power factor > 0.90
- * Lighting beam: 150 degrees
- * Color rendering Index > 72
- * Die cast aluminum housing, dark bronze finish
- * Easy installation
- * Dimmable
- * Total harmonic distortion <20%.

WARRANTY & DETAILS

- * ETL
- * UL Listed
- * Working temperature: -22 F / 140 F
- * 5-year warranty on all electronics and housing

DIMENSIONS



ORDERING INFORMATION

PART #	LUMENS	KELVIN	LUMENS	WATTAGE	HALOGEN EQUIVALENT
DTH-BL-55W-5K	6875	5000	125	55	120-175

SELECTABLE POST LIGHT



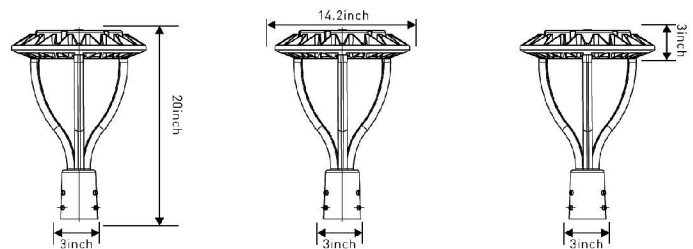
- * S3000K, 4000K, 5000K
- * Wattage selectable 80/100/120/150
- * 130 Lu/W - 13,000 lumen @ 100W
- * Long-life LEDs with 50,000 hours of operation
- * Universal 100-277 AC voltage (50-60 Hz)
- * Power factor > 0.90
- * 120 degree beam angle
- * Color rendering Index > 72
- * Die cast aluminum housing, painted black
- * Photocell integrated
- * Total harmonic distortion <20%.

WARRANTY & DETAILS

- * ETL
- * DLC premium listed
- * 5-year warranty of all electronics and housing



DIMENSIONS



ORDERING INFORMATION

PART #	Color Temp	Lumens	Wattage selectable	Lumen/watt	Voltage
DTH-2PT-19LS-3CCT-PC	3000K, 4000K, 5000K	13000, 15,600, 19,500	80/100/120/150	130	100-277V



The CLL-SP08-600W-5K Stadium Sport Light is the top of the line in both quality and price. Bridgelux LED chips and premium UU Power Pek driver produce 81,000 Lumens.

FEATURES

- * Standard 5000k color temperature
- * Bridgelux Chips SMD3030 and U Power Pek drivers
- * Long-life LEDs provide 145,000 hours of operation with at least 70% of initial lumen output (L70)
- * Universal 100-277 AC voltage (50-60Hz)
- * Beam Angle: >30 degrees
- * Total harmonic distortion < 20%, Power factor > 0.90
- * Color rendering index > 80
- * 0-10 V dimming standard
- * Die cast aluminum housing with durable, dark bronze, powder coat paint and polycarbonate lens

ORDERING INFORMATION

PART#	Color Temp	Lumens	Voltage	Wattage
CLL-SP08-600W-5K	5000K	81,000	100-277V	600

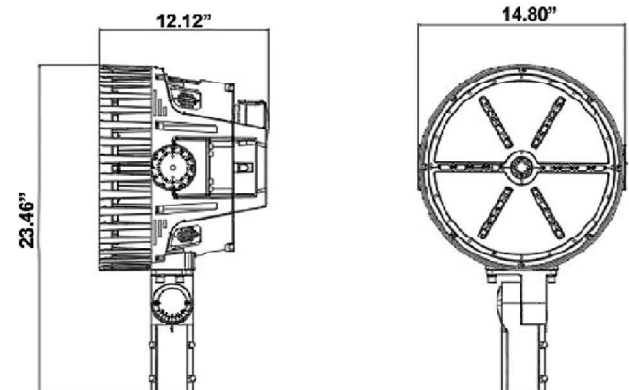
WARRANTY & DETAILS

- * UL Listed
- * DLC Premium listed
- * IP65 waterproof rated
- * 5-year warranty on all electronics and housing
- * EPA: 1.6 ft²

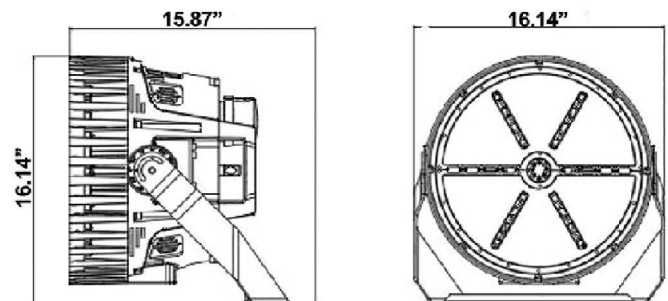
MOUNTING OPTIONS

- * Yoke mount standard, Slip fitter available (sold separately)

DIMENSIONS



Standard Yoke mount





APPLICATIONS

CLL-TWP is a premium rugged, durable LED Wall Pack, which is perfect for outdoor perimeter and area lighting. The CLL-TWP will stand up to many years of harsh environmental conditions with a die cast aluminum housing and a glass lens. High-efficacy, long-life LEDs provide both energy and maintenance cost savings compared to traditional, MH / HID Wall Packs. These wall packs come standard with a **kelvin selectable switch** located inside allowing users to switch between 4000K and 5000K.

FEATURES

- * Tunable CCT 4K and 5K
- * 130 Lumen/watt
- * ZC Driver - Sanan LED
- * Universal 120-277 AC voltage (50-60Hz) is standard
- * Power factor > 0.90
- * Working temperature : -4 F - 113 F
- * Beam Angle: 110 degrees
- * Total harmonic distortion < 15%
- * Color rendering index > 80
- * Die cast aluminum housing with dark bronze, powder coat paint
- * Glass lens
- * Easy installation in new construction or retrofit
- * Exterior mounting tabs ensure secure installation without compromising wet location integrity.

ORDERING INFORMATION

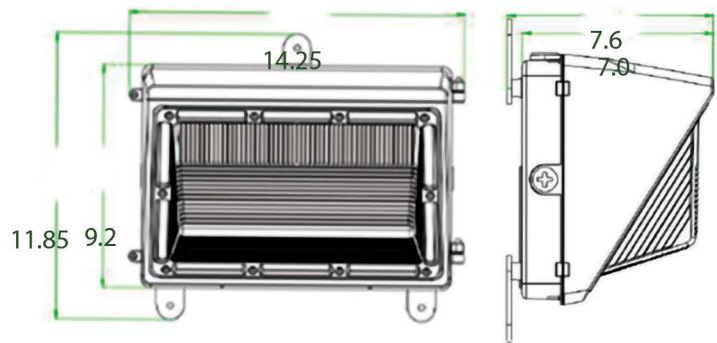
WARRANTY & DETAILS

- * ETL Listed
- * DLC Listed
- * IP 66 rated sealed with silicone ring
- * Complies with RoHS (Restriction on Hazardous Substances) requirements
- * 5-year warranty on all electronics and housing

ACCESSORIES - SOLD SEPARATELY

- * Emergency Back-up: BLD-CM20E-20W
- * Photocell: CLL-SWTCHPC

DIMENSIONS



PART #	ColorTemp	Lumens	Lumens/watt	Watt	Options (order separately)
CLL-TWP-60W-CCT	CCT 4K/5K	7,800	130	60	Emergency Back-up: BLD-CM20E-20W
CLL-TWP-80W-CCT	CCT 4K/5K	10,400	130	80	Photocell: CLL-SWTCHPC-120V
CLL-TWP-100W-CCT	CCT 4K/5K	13,000	130	100	
CLL-TWP-120W-CCT	CCT 4K/5K	15,600	130	120	



Photocell Standard

APPLICATIONS

LED Architectural Full cutoff wall pack provides zero uplight and low glare at high angles. It is CCT selectable and wattage selectable. It is designed with the most powerful and efficient heat sink, die-casting aluminum alloy housing and anti-corrosion painting. This LED pack light can work up to 50,000 hours, replacing traditional MH / HPS fixtures 175W-400W and saving up to 80% energy. Standard with photocell pre-installed.

FEATURES

- * CCT Selectable: 3K, 4K 5K for the 28W-70W
- * CCT Selectable: 4K, 5K for the 48W-120W
- * Wattage selectable 28W,42W,56W,70W
- * Wattage selectable 48W,72W,96W,120W
- * Long-life LEDs provide 50,000 hours of operation
- * Universal 120-277 AC voltage (50-60Hz) is standard
- * Power factor > 0.90
- * 0-10V dimming capability is standard
- * Color rendering index > 70
- * Die cast aluminum housing with durable, dark bronze, powder coat paint
- * Durable, UV-resistant polycarbonate lens
- * Removable, threaded plugs for side attachment of 1/2" rigid electrical conduit
- * Easy installation in new construction or retrofit
- * Standard with photocell pre-installed

OPTIONS (Sold separately)

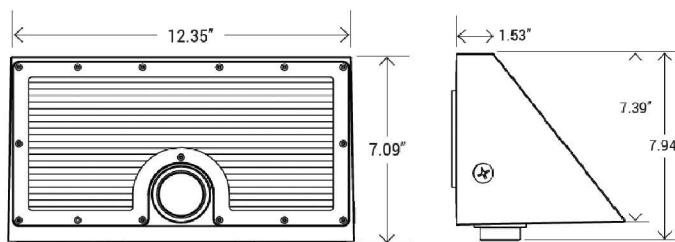
- * Microwave motion sensor : ANT-4-5T
- * RC 100 remote control
- * 20W emergency backup: BLD-CM20E-20W

ORDERING INFORMATION

WARRANTY & DETAILS

- * UL listed for wet locations (-22°F to 113°F)
- * DLC premium listed
- * IP65 rated
- * Complies with EN61000-4-5, surge immunity (1kV)
- * 5-year warranty on all electronics and housing

DIMENSIONS



CCT and WATTAGE SELECTABLE SWITCH



Microwave motion sensor can be pre-installed here

PART #	Color Temp	Lumens	Lumen/watt	Wattage	Lumens
DTH-AFW-70W-CCT-P-M	3K, 4K, 5K	10,000	160-170	28,42,56,70	5211,7048,8901,11256
DTH-AFW-120W-CCT-P-M	4K, 5K	13,500	160-170	48,72,96,120	7759,11257,14447,17148



APPLICATIONS

This wattage and Kelvin selectable full cutoff adjustable wall pack is a contemporary, commercial grade area light fixture. It features a heavy-duty, spring-loaded hinge. This light has a durable die cast aluminum housing and a polycarbonate lens. This fixture is standard with photocell installed. Its housing serves as a junction box for easy install and wiring.

FEATURES

- * CCT selectable in 3000K, 4000K, 5000K
- * Wattage selectable 15W, 20W, 30W and 40W, 60W, 80W
- * Long-life LEDs provide 50,000 hours of operation
- * Phillips Lumileds LEDs
- * 0-10V dimming capability
- * Heavy-duty, spring-loaded hinge
- * Universal 120-277 AC voltage (50-60Hz) is standard
- * Power factor > 0.90
- * Beam angle: 90 degrees
- * Color rendering index > 80
- * Die cast aluminum housing with durable, dark bronze, powder coat paint. better cooling, light design
- * Tough, UV-resistant polycarbonate lens
- * Photocell control standard (easily bypassed if not required)



CCT Selectable
3000K, 4000K, 5000k

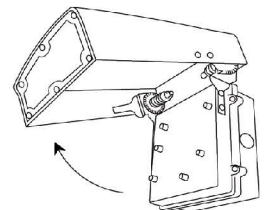
Wattage Selectable
15W, 20W, 30W
40W, 60W 80W

WARRANTY & DETAILS

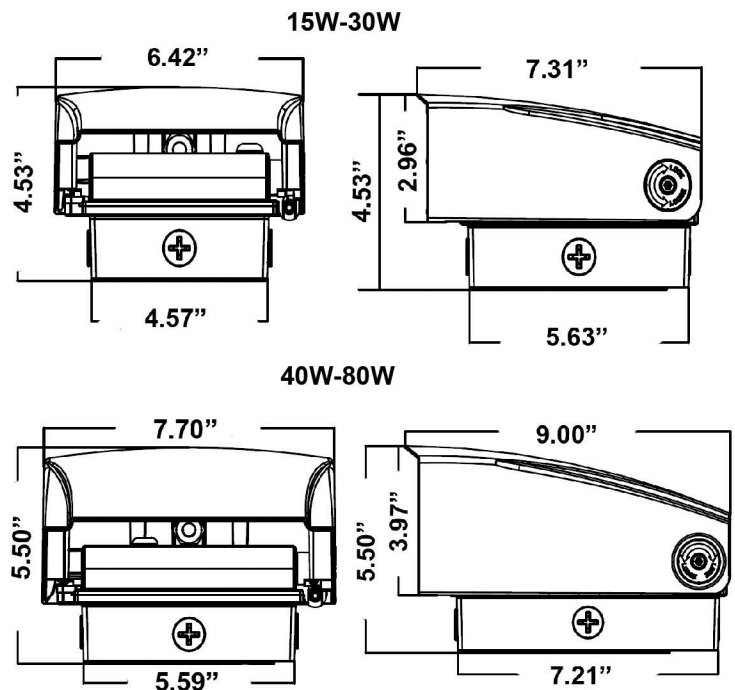
- * cULus listed for wet locations (-22°F to 113°F)
- * DLC Premium listed
- * Wet location rated
- * 5-year warranty on all electronics and housing

VERTICAL ADJUSTABILITY

- * Heavy-duty, spring-loaded hinge provides vertical adjustability of the light housing
- * The head tilts from 0 to 90 degrees
- * Knurled notches securely retain rotated position even Knurled notches securely retain rotated position even in harsh and rigorous environments



DIMENSIONS



ORDERING INFORMATION

PART #	Color Temp	Lumens	Lumen/watt	Wattage	Voltage
DTH-SWP152030W27-345K-D-P	3K, 4K, 5K	3750, 4200, 4050 @ 30W	130	15,20,30	AC 100-277V
DTH-SWP468W27-345K-D-P	3K, 4K, 5K	10000, 11200, 10800 @ 80W	130	40,60,80	AC 100-277V



APPLICATIONS

The CLL-RWP01B Series is a rugged, durable LED Wall Pack that provides full adjustability of the LED modules. Light can be focused up, down, or anywhere in between. It is perfect for outdoor perimeter and area lighting. Featuring a die cast aluminum housing and a polycarbonate lens, the CLL-RWP01B Series will stand up to many years of harsh environmental conditions. High-efficacy, long-life LEDs provide both energy and maintenance cost savings compared to traditional MH / HID Wall Packs

FEATURES

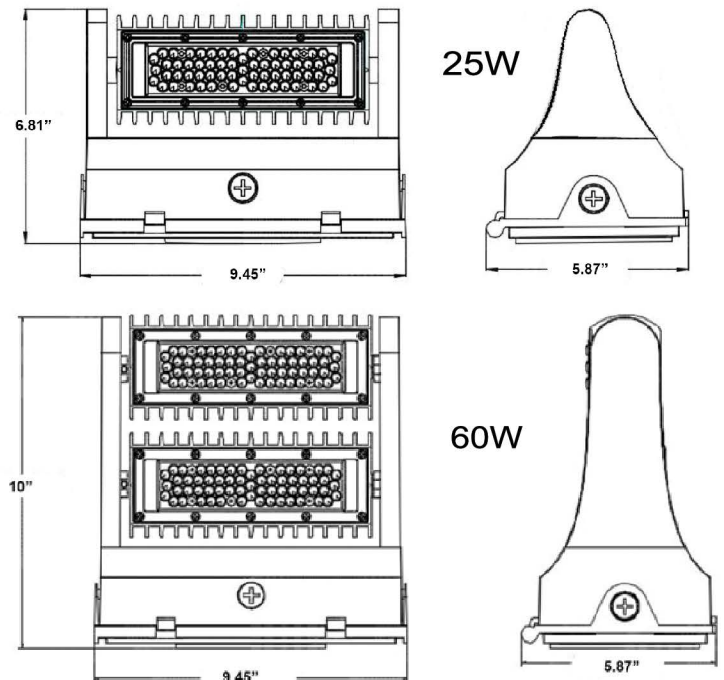
- * Color temperatures 3K, 4K & 5K selectable
- * 25W and 60W available
- * Seoul chips SMD3030
- * NO UV or IR in the beam
- * Universal 120-277 AC voltage (50-60Hz) is standard
- * Beam angle: 60 degree
- * Power factor > 0.90
- * 0-10V dimming capability standard
- * Total harmonic distortion < 20%
- * Color rendering index > 80
- * Die cast aluminum housing with durable, dark bronze powder coat finish
- * Easy installation in new construction or retrofit applications

ORDERING INFORMATION

WARRANTY & DETAILS

- * DLC Premium
- * cULus listed for wet locations in ambient temperatures from (-40F to 113°F)
- * IP65 rated for ingress protection
- * Complies with FCC Part 15, class B
- * 5-year warranty on all electronics and housing

DIMENSIONS



PART #	CCT Color Temp	Wattage	Lumens			Lumens per Watt		
			30K	40K	50K	30K	40K	50K
CLL-RWP01B-25W-CCT	30K, 40K, 50K	25	3,175	3,675	3,325	127	145	133
CLL-RWP01B-60W-CCT	30K, 40K, 50K	60	7,500	8,580	7,860	125	143	131

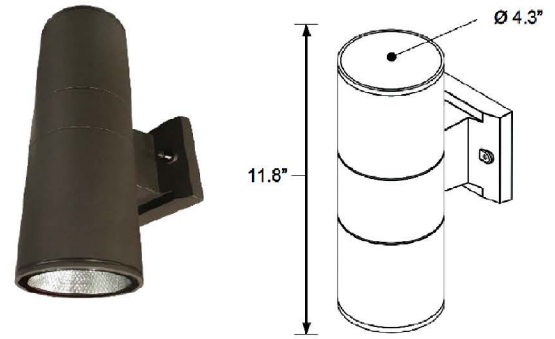
UP / DOWN CYLINDER LIGHT



This wall sconce, also known as LED Up and Down light, is a bidirectional light, with two 15 watt integrated LED's throwing light in the upward and downward direction. The total brightness is high enough to brighten up a large area of the wall. These lights are available in 3000 or 5000 kelvin. These lights also are ETL certificated and come with a Manufacturer's warranty of 5 years.

FEATURES

- * Available in 3000K and in 5000k color temperature
- * 120 AC 50/60 Hz input voltage providing long-life LEDs with 153,000 hours of operation
- * 2,449 to 2,509 lumens with 82 lm/W
- * Power factor > 0.90
- * Color rendering Index > 80
- * Dark bronze Aluminum housing and glass lenses
- * Easy installation in new construction and retrofit
- * Switch inside to change from both up and down to just down
- * Total harmonic distortion <20%.



WARRANTY / LISTING

- * ETL listed for wet locations
- * Complies with FCC part 15, Class B
- * Energy star qualified
- * Complies with EN61000-4-5, surge immunity protection (1KV)
- * 5-year warranty of all electronics and housing

ORDERING INFORMATION

Part #	Color temp	Wattage	Lumens/W	Total Lumens
DTH-UPDN-30	3000K	30	82	2,449
	5000K	30	82	2,509

26W MINI WALL PACK



CLL-MWP is a premium, rugged, durable LED Wall Pack, which are perfect for outdoor perimeter and area lighting. With a die cast aluminum housing, a polycarbonate lens and a built in photocell, the CLL-MWP402-26W-5K will stand up to many years of harsh environmental conditions. High-efficacy, long-life LEDs provide both energy and maintenance cost savings compared to traditional 75W MH / HID Wall Packs.

FEATURES

- * Standard in 5000k color temperatures with 115 provide Lm/W, 2990 lumens
- * Long-life LEDs provide 50,000 hours of operation
- * Universal 120-277 AC voltage (50-60Hz) is standard
- * Power factor > 0.90
- * Working temperature : -40 F - 122 F

ORDERING INFORMATION

PART #	Color Temp	Lumens	Lumen/watt	Wattage	Voltage
CLL-MWP402-26W-5K	5000K	2,990	115	26	AC 120-277V



- * Dusk to dawn photocell
- * Total harmonic distortion < 20%
- * Color rendering index > 70
- * Die cast aluminum housing with dark bronze, powder coat paint
- * Polycarbonate clear lens
- * Easy installation in new construction or retrofit

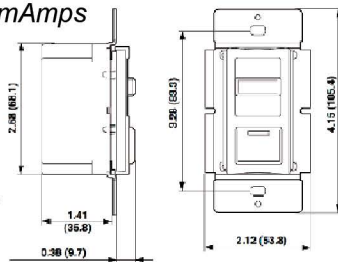
SWITCHES, PLUGS AND DEVICES



IP710LFZ

Single pole or 3 way switch

- * Provide single pole (one location) or 3-way (two location) lighting control when used with a 3-way switch
- * Built-in radio/TV interference filter
- * Fit easily into a standard wallbox and are suitable for multi-gang installations
- * Fluid slide movement allows fine adjustment of light level with minimal effort
- * Push button switch acts as an air gap switch completely disconnecting power from unit for bulb changing
- * Slide controls travel approximately 20mm
- * IP710-LFZ designed for use with LED fixtures using 0-10V dimming capability
- * Dual voltage 120V/277V; 28 mAmps maximum sink current.
- * Action : Standard ON/OFF
- * Series Frequency : 60 Hz
- * Light : None
- * Load Rating : 1200VA
- * 0-10VDC LED Power Supply
- * 5-yr warranty



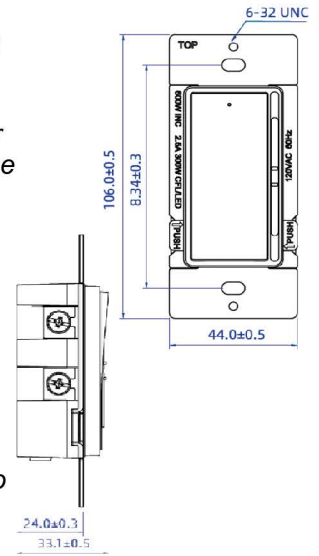
PART #	Dimmable	Switch type	Load rating	Voltage
IP710-LFZ	0-10V	Single pole or 3 way install	1200VA	AC 100-277V



ELEGRP-TRIAC-DIMMER

Switch slide dimmer

- * Adjustable initial brightness setting for different type of lights
- * Compatible with 99% of light bulbs and fixtures
- * Can be used in single-pole or 3-Way applications, where lights are controlled from one or two locations. Use only one dimmer in a 3-or-4-way circuit. The other 3-or-4-way switch(es) will turn the light on at the brightness level selected at the dimmer
- * Energy savings & long operating life
- * 3 modes: - 1: Adjust by 5%
- 2: Adjust by 25%
- 3: Adjust to initial brightness
- * UL & CUL listed.
- * Input Rating: 120V, 60Hz
- * Operating Temperature: -4° F to 104° F (-20° C to 40° C)
- * 1 year warranty



Part #	Load rating	Voltage
ELEGRP-TRIAC-DIMMER	300W LED, CFL 600W Incandescent	AC 120-60Hz

ELEGRP-OCS-300W

Occupancy vacancy motion sensor light switch



- Incandescent Lamp
600W, 120-277V
- CFL Lamp
300W, 120-277V
- Dimmable LED Lamp
300W, 120-277V

15 Amp / 20 Amp GFCI OUTLET



- * Tamper resistant and self test
- * GFCI outlet designed to protect against electric shock from current leaking outside of the circuit.
- * Hidden tamper resistant shutters protect against electric shock by preventing foreign objects from being inserted



Part #	Load rating	Voltage
YGB-094-WR-GFCI-15A	15 or 20 Amp GFCI outlet	AC 120V-60Hz
YGB-095-WR-GFCI-20A	Tamper resistant, self test	



ELEGRP-USB

USB outlet

- * Smart Chip: Identify and optimize the charging current of your devices
- * Tamper Resistant Shutters: Prevent children from inserting any unwanted objects into the outlets.
- * Universal Compatibility: Two high speed USB ports provide the fastest charging.
- * Support side wiring and back wiring. Fits in a standard wall box. Can replace existing outlets. Compatible with standard wall plates and can be multi-ganged with other devices.
- * Extremely low standby power consumption. Energy saving and long operating life. Flame resistant material has reached the highest grade
- * Input Rating: 120 -60Hz



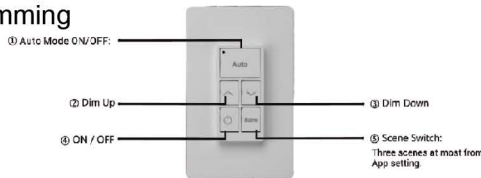
PART #	Load rating	Voltage
ELEGRP-USB	15 Amp duplex USB ports Type C: 3A 5V DC Type A: 2.4A 5V DC	AC 120V-60Hz

WP-1025



5 key wall switch

- * Powered by two CR2032 batteries (not included)
- * Transmitting distance: 200ft
- * No wires needed. Easy installation: suitable for surface-mounted or recessed in the wall
- * When low power, press any button and the red light will flash.
- * Fingertip control over lights in defined zones. Linkable with one / multi zones
- * Programmable with up to 3 preset scenes
- * IP rating: waterproof IP20
- * Switch on-off, Dimming
- * 5-yr warranty



Part #	Connection	Transmitting distance
WP1025	Bluetooth	200 Feet

PPA102S



Bluetooth power pack

- * Only sensor model IFS105 is compatible with PPA102S
- * Dimming: 0-10V DC
- * IP rating: waterproof IP20
- * AUX: 12V DC 200mA Max
- * For external installation with knock-out
- * UL & FCC certified
- * Input Rating: 100-277V, 60Hz
- * 360W max load
- * 5 year warranty

Part #	Connection	Voltage	Watt
PPA102S	Bluetooth	AC 100-277V -60Hz	360W

IFS105



Bluetooth sensor. PIR photocell sensor

- * Different modes can be selected according to different applications
- * The integral photocell can switch the lights on and off for dusk to dawn control. All lighting remains on overnight even without motion detection
- * Works with PPA102S only
- * Detection range: 50ft Max
- * Mounting height: 20ft Max
- * IP rating: IP20
- * 5-yr warranty



Part #	Voltage	Ceiling Height
IFS105	DC 12V	20 Feet

WP-4013V1



RF switch

- * Manually turn on/off and dim lights anywhere in the room
- * Quick Setup and Easy configuration for use as a handheld control or wall-mount control
- 1. Push PAIR on power pack
- 2. Push ON/OFF button for 3s to PAIR with power pack
You will hear a beep indicating the dimmer has linked with the power pack .
- 3. Try the buttons to see if light is successfully controlled
- * RF range: 30meter/ 98.4 feet
- * Require 1 x CR2032 battery (not included)
- * 3-yr warranty

Part #	RF Frequency band
WP-4013V1	443 Mhz

PPA4013SV2

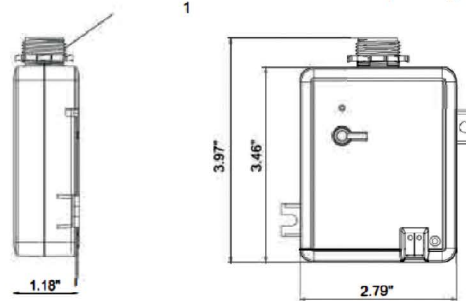


RF Power pack

- * One dimming module can be linked with 5 RF manual control dimmers
- * Mounts through standard 1/2" knockout on electrical box
- * Standby power: 0.6W
- * Max current: 10A
- * 1200W max load
- * RF range: 30 meter/ 98.4 feet
- * Input Rating: 100-277V, 50-60Hz
- * 1200W max load
- * Frequency band: 443.92 Mhz
- * 3 year warranty



1/2" in 21mm trade-size knockout opening



Part #	RF Frequency band	Voltage	Watt
PPA4013SV2	443 Mhz	AC 100-277V -60Hz	1200W

PHOTOCELL / MOTION SENSOR / GATEWAY

CLL-SWCHPC



- * Photocell sensor for traditional glass wall packs
- * Heavy-duty, weatherproof, polycarbonate housing & lens
- * Photocell is 1/2" diameter CDS (cadmium-sulfide)
- * 100-277VAC voltage (50-60Hz) is standard
- * Preset time delay
- * Contact position at night is normally closed
- * Power consumption: Below 1.5 watt average
- * Light level: ON: 9 to 1.9 FC OFF: 2.8 to 5.6FC
- * Thermal switch
- * Tungsten rating: 150W, 1.20 Amp
- * cULus listed
- * For temperatures from -40°F to 158°F, 96% relative humidity
- * 5-year warranty on all electronics and housing



PART #	Input Voltage	Rated load	Type
CLL-SWCHPC-120V	120V	150W	Recessed flush mount

DTH-PENPC



- * Control light sources including LED incandescent, HID and fluorescent
- * Heavy-duty, rain-proof, polycarbonate housing and lens
- * Photocell is 1/2" diameter CdS (cadmium-sulfide)
- * Universal 120-277 AC voltage (50-60Hz) is standard
- * Preset time-delay prevents unintended switching due to momentary flashes of light
- * Power consumption: 2 watts
- * Switches light source on when ambient lighting levels decrease to 1-2 foot-candles and off when ambient light increase to 3-8 foot candles
- * cULus listed
- * For temperatures from -40°F to 158°F, 99% relative humidity
- * 5-year warranty on all electronics and housing



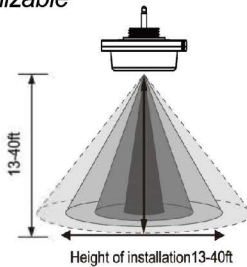
PART #	Input Voltage	Swivel	Type	Rated load	Power leads
DTH-PENPC	120V-277V	0-200	Pencil	1,800W	16 AWG, 302 F, 6"

ANT-5-4T



Bi-level Microwave sensor

- * Power supply: 12V - 24V DC > 50mA
- * Time setting: 10s, 11 min, 5 min, 10 min, 15 min, 20 min, 30 min, 60 min
- * Max Height: 40 ft
- * IP rating: IP 65
- * Dimmable output control: 0-10V
- * Light control: 24H, 10 LUX, 30 LUX, 50 LUX
- * Operating temp: -40 F / + 158 F
- * Optional remote available for more customizable programming



ANT-5-4T-BLE



Plug and Play Network BLE Nodes and Sensor

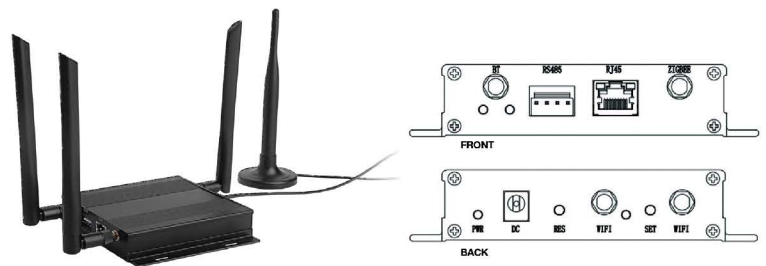
- * Lighting controls meet design lights consortium (DLC) networked lighting control system technical requirements (Version NLC5 June 23, 2020)
- * Quick connect and adjust different sensor angle
- * Easy commissioning with Tuya/Sharkward App (Available in IOS and Android)
- * Bluetooth network with Saas working by computer
- * individual addressability and/or grouping.
- * Time clock scheduling for individual lights, groups or scenes
- * Multi-level dimming: manual ON/OFF automatic ON/OFF, and automatic partial
- * ON/OFF, daylight harvesting control capability

PART #	Input Voltage	Max height	Usage
ANT-5-4T	12-24V	40Ft	High bay light
ANT-5-4T-BLE	12-24V	40Ft	High bay light

CLL-SK18WG



- * One gateway can control max. 200pcs Bluetooth Motion sensors
- * This distance is for reference only, the construction site conditions are different, and the distance may deviate
- * The gateway can cover up to 500ft distance.
- * Bluetooth between Bluetooth communication up to 60ft
- * Input voltage 100-240VAC, 50-60Hz
- * Output voltage: 5V=200mA
- * RF Characteristics: Bluetooth / WIFI / Zigbee 2.400 -2.48 GHz
- * Transfer Speed: 1Mbps / 2Mbps



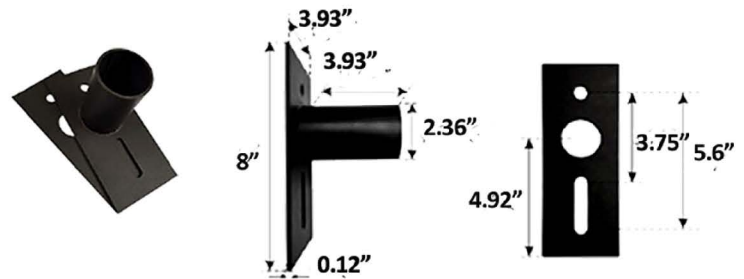
PART #	Input Voltage	Output voltage	Transfer speed
CLL-SK18WG	120-240V	5V=200mA	1Mbps / 2Mbps

WALL MOUNTS

DTH-ADP2.5-D

Horizontal Slip Fitter Adaptor

2-3/8" OD Horizontal Tenon Bracket is designed to mount light fixtures that are equipped with a adjustable slip-fitter onto a 2-3/8" OD horizontal tenon.



DTH-ADP2.5-BAR5-D

Horizontal Tenon Arc Adaptor

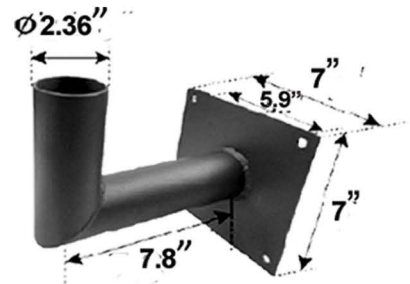
2-3/8" OD Horizontal Tenon Mid-Pole Bracket is designed to mount light fixture that is equipped with an adjustable slip-fitter onto a round pole



DTH-ADP2.5-90-D

Wall Mount 90 degree Tenon Adapter Square

The 90° wall mount bracket with 2- 3/8" tenon attaches flood and area light fixtures to almost any surface: wall, roof or wood pole. Provides wiring access and a built-in 2-3/8" O.D. tenon to mount a fixture with an adjustable slip-fitter. Suggested 3/8" diameter bolts for mounting. Mounting holes are spaced 3-1/4" apart.



DTH-ADP2.5-90H-D

Wall Mount 90 degree tenon Adapter Horizontal

The 90° wall mount bracket with 2- 3/8" O.D tenon attaches flood and area light fixtures to almost any surface: wall, roof or wood pole. Provides wiring access and a built-in 2-3/8" O.D. tenon to mount a fixture with an adjustable slip-fitter.



DTH-ADP2.5-180H-D

Double 180° Wall Mount Bracket with 2-3/8" O.D. Tenon

The 180° wall mount bracket with 2-3/8" tenon attaches two flood or area light fixtures to almost any surface: wall, roof or wood pole. Provides wiring access and a built-in 2-3/8" O.D. tenon to mount a fixture with adjustable slip-fitter. Suggested 3/8" diameter bolts for mounting. Mounting holes are spaced 3-1/4" apart.



PART #	Description
DTH-ADP2.5-D	Wall Mount Horizontal Tenon Adapter
DTH-ADP2.5-BAR5-D	2-3/8" OD Horizontal Tenon Arc Adaptor
DTH-ADP2.5-90-D	Wall Mount 90 degree bracket square
DTH-ADP2.5-90H-D	Wall Mount 90 degree bracket horizontal
DTH-ADP2.5-180H-D	Double 180 degree wall mount bracket with 2-3/8" OD Tenon

TENONS

DTH-VTS4R-2T-D

Low Profile Double Tenon Adapter

The Bracket is designed to mount over a 2-3/8" O.D. vertical tenon. Two fixtures can be mounted to the round external mount vertical tenons and adjusted accordingly.



DTH-VTS4R-3T-D

Low Profile triple Tenon Adapter

The Bracket is designed to mount over 2-3/8" O.D. vertical tenon. Three fixtures can be mounted to the Round External Mount Horizontal Tenon and adjusted horizontally



DTH-VTS4R-4T-D

Low Profile quad Tenon Adapter

The Bracket is designed to mount over 2-3/8" O.D. vertical tenon. Four fixtures can be mounted to the Round External Mount Horizontal Tenon and adjusted horizontally.



DTH-QT120-3T-D

Low Profile Triple 120° Tenon Adapter

The Bracket is designed to mount over a 2-3/8" O.D. vertical tenon. Three fixtures can be mounted to the round external mount vertical tenons and adjusted accordingly.



DTH-QT90-4T-D

Low Profile Quad 90° Tenon Adapter

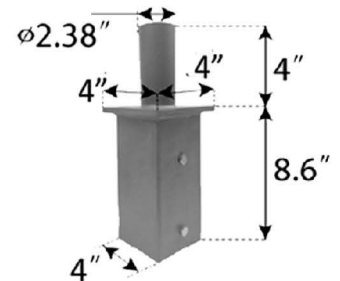
The Bracket is designed to mount over a 2-3/8" O.D. vertical tenon. Four fixtures can be mounted to the round external mount vertical tenons and adjusted accordingly.



DTH-VTS4-D

Square Tenon Adapter 4 inch

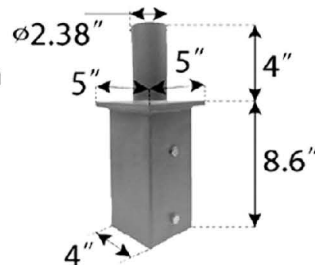
For use with 4" square, non-tapered steel and aluminum poles. Furnished with four 5/16" hex head stainless-steel bolts. Vertical tenon measures 2-3/8" O.D., and is made of steel tubing. Fixtures mounted to this bracket can be adjusted both vertically and horizontally.



DTH-VTS5-D

Square Tenon Adapter 5 inch

For use with 5" square, non-tapered steel and aluminum poles. Furnished with four 5/16" hex head stainless-steel bolts. Vertical tenon measures 2-3/8" O.D., and is made of steel tubing. Fixtures mounted to this bracket can be adjusted both vertically and horizontally.



ORDERING INFORMATION

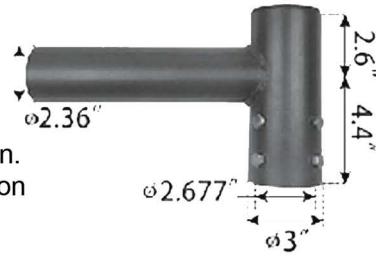
PART #	Description
DTH-VTS4R-2T-D	Low profile Double Tenon adapter
DTH-VTS4R-3T-D	Low Profile Bullhorn with 3 Tenons
DTH-VTS4R-4T-D	Low Profile Bullhorn with 4 Tenons
DTH-QT120-3T-D	Low profile triple Tenon adapter
DTH-QT90-4T-D	Low profile quad Tenon adapter
DTH-VTS4-D	Square Tenon Adapter 4 inch
DTH-VTS5-D	Square Tenon Adapter 5 inch

SPOKES

DTH-SB2.5S90-D

Single Spoke Bracket

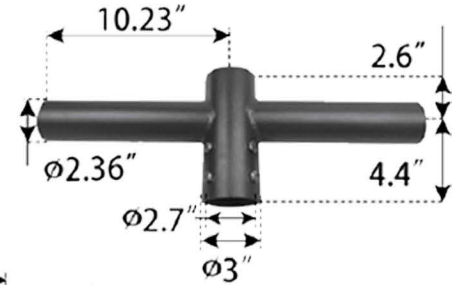
The Bracket is designed to mount over 2-3/8" (60mm) O.D. vertical tenon. One fixtures can be mounted to the round external mount horizontal tenon and adjusted horizontally.



DTH-SB2.5TW180-D

Twin Spoke Bracket 180° Arms

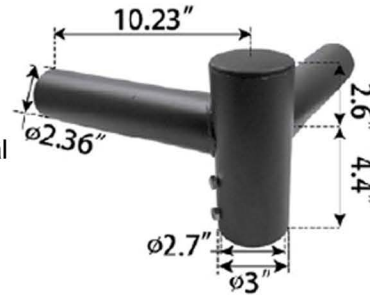
The Bracket is designed to mount over 2-3/8" (60mm) O.D. vertical tenon. Two fixtures can be mounted to the round external mount horizontal tenons and adjusted horizontally.



DTH-SB2.5TW90-D

Twin Spoke Bracket 90° Arms

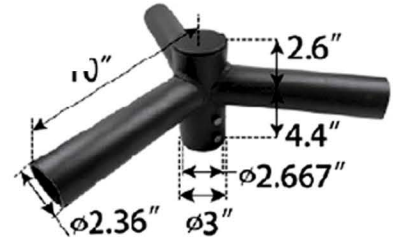
The Bracket is designed to mount over 2-3/8" (60mm) O.D. vertical tenon. Two fixtures can be mounted to the round external mount horizontal tenons and adjusted horizontally.



DTH-SB2.5TR120-D

Triple Spoke Bracket 120° Arms

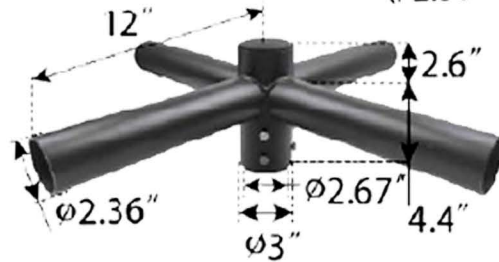
The Bracket is designed to mount over 2-3/8" (60mm) O.D. vertical tenon. Three fixtures can be mounted to the round external mount horizontal tenons and adjusted horizontally.



DTH-SB2.5QD90-D

Quad Spoke Bracket 90° Arms

The Bracket is designed to mount over 2-3/8" (60mm) O.D. vertical tenon. Four fixtures can be mounted to the round external mount horizontal tenons and adjusted horizontally.



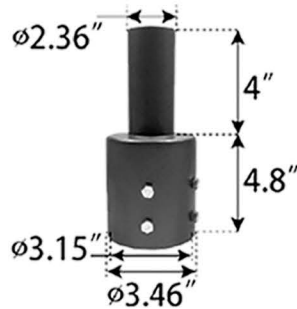
ORDERING INFORMATION

PART #	Description
DTH-SB2.5S90-D	Single Spoke bracket
DTH-SB2.5TW180-D	Twin Spoke Bracket 180 degree Arms
DTH-SB2.5TW90-D	Twin Spoke Bracket 90 degree Arms
DTH-SB2.5TR120-D	Triple Spoke Bracket 120 degree Arms
DTH-SB2.5QD90-D	Quad Spoke Bracket 90 Arms

DTH-VT3-D

Round Tenon Adapter 3 inch

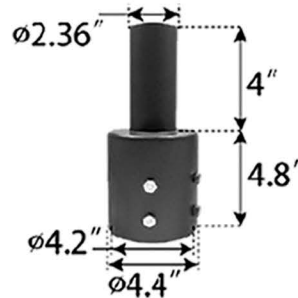
For use with 3" Round, non-tapered steel and aluminum poles. Furnished with three 3/8" hex head stainless-steel bolts. Vertical tenon measures 2-3/8" O.D., and is made of steel tubing. Fixtures mounted to this bracket can be adjusted both vertically and horizontally.



DTH-VT4-D

Round Tenon Adapter 4 inch

For use with 4" Round, non-tapered steel and aluminum poles. Furnished with three 3/8" hex head stainless-steel bolts. Vertical tenon measures 2-3/8" O.D. and is made of steel tubing. Fixtures mounted to this bracket can be adjusted both vertically and horizontally.



DTH-VT5-D

Round Tenon Adapter 5 inch

For use with 5" Round, non-tapered steel and aluminum poles. Furnished with three 3/8" hex head stainless-steel bolts. Vertical tenon measures 2-3/8" O.D. and is made of steel tubing. Fixtures mounted to this bracket can be adjusted both vertically and horizontally.



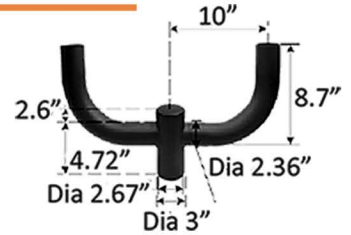
ORDERING INFORMATION

PART #	Description
DTH-VT3-D	Round Tenon Adapter 3"
DTH-VT4-D	Round Tenon Adapter 4"
DTH-VT5-D	Round Tenon Adapter 5"

DTH-RB2.5D180-D

180° Double Bullhorn

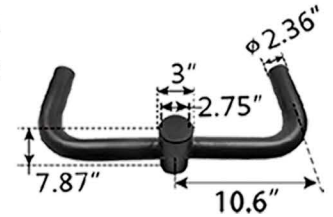
The Bracket is designed to mount over a 2-3/8" (60mm) O.D. vertical tenon. Two fixtures can be mounted to the Round External Mount vertical Tenons and adjusted accordingly.



DTH-RB2.5TR180H-D

Horizontal 180 Double Bullhorn

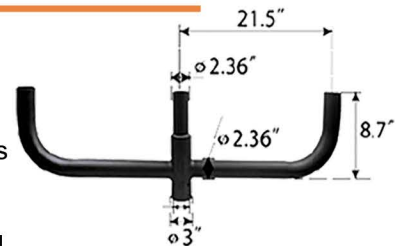
The Bracket is designed to mount over a 2-3/8" (60mm) O.D. vertical tenon. Two fixtures can be mounted to the round external mount horizontal tenons and adjusted horizontally.



DTH-RB2.5TR180-D

180° Triple Bullhorn

The Bracket is designed to mount over a 2-3/8" O.D. vertical tenon. Three fixtures can be mounted to the round external mount vertical tenons and adjusted accordingly.



DTH-RB2.5QD90-D

90° Quad Bullhorn

The Bracket is designed to mount over a 2-3/8" (60mm) O.D. vertical tenon. Four fixtures can be mounted to the round external mount vertical tenons and adjusted accordingly.



DTH-RB2.5TR180-4T-D

180° Quad Bullhorn

The Bracket is designed to mount over 2-3/8" O.D. vertical tenon. Four fixtures can be mounted to the Round External Mount vertical Tenon and adjusted horizontally.



PART #	Description
DTH-RB2.5D180-D	180 Degree Double Bullhorn
DTH-RB2.5TR180H-D	Horizontal 180 Degree Double Bullhorn
DTH-RB2.5TR180-D	180 Degree Triple Bullhorn
DTH-RB2.5QD90-D	90 Degree Quad Bullhorn
DTH-RB2.5TR180-4T-D	180 Degree Quad Bullhorn

STRAIGHT SQUARE and ROUND STEEL POLES

APPLICATIONS

Straight square and straight round steel poles are built from high strength steel tube and are standard side drilled for arm mount and include a tenon mount. Heights of 10 to 30 feet are available.

Specifications and Features: Conforms to ASTM-A 500 Grade B: Minimum yield strength of 46,000 PSI.

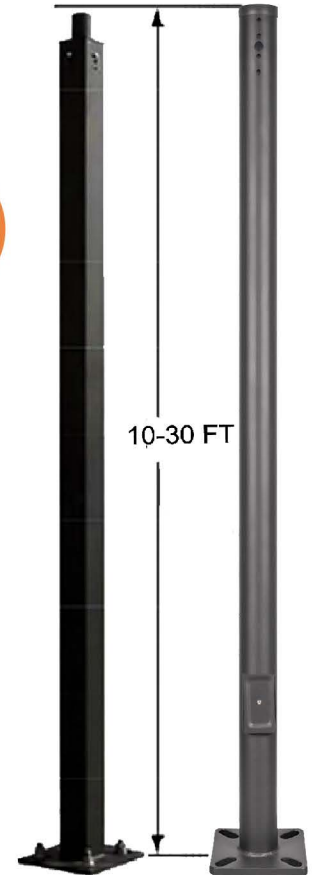
Finish: Textured architectural bronze powder coat finish, baked to ensure maximum paint adhesion, hardness and durability.

Base cover: Poles are provided with a two-piece formed steel base cover that is easily assembled and fitted over pole base.

Anchor Bolts: Anchor bolts are included.

Pole Length: 10, 15, 20, 25 and 30 feet.

Galvanized
inside + out



MOUNTING OPTIONS

STRAIGHT SQUARE: Standard length poles include 2 3/8" OD tenon, side drilled 4@90 degrees and hole plugs for unused drilling locations. Our standard equipment includes a top adapter with 2 3/8" tenon. There is no opening on the top of the light pole. If ARM installation is needed, the top adapter shall be removed and holes shall be opened on the wall of the light pole. Finally, seal the top with a plastic rain cover. Plastic rain cover sold separately in a 4" or 5"

STRAIGHT ROUND:

SIDE MOUNT: Standard length poles are predrilled (2@180°), with a polycarbonate top cover and hole plugs for unused predrilled locations. Note: When using Arm or Slip-Fitter Mounts, additional installation parts may be required to ensure proper installation. (example: Round Bar Adapter with Arm Mount or Horizontal Tenon Arc Adapter with Slip-Fitter Mount)

TOP MOUNT: Round Pole Tenon Adapters (optional) can be installed for a use with a Slip-Fitter or Multi-Fixture installation requiring Bullhorns, Spokes etc. (3"RND, 4"RND and 5"RND to 2 3/8" Round Tenon Adapters available). sold separately

WARRANTY

* 7-year

ORDERING INFORMATION

Square steel poles

Specification type	Height	Wall thickness	Shaft base	Base size	Bolt circle	Bolt projection
DTH-10FT4-11G-D-T	10 Ft	11 Gauge	4x4 in	11 in	8-11 in	2.75 in
DTH-15FT4-11G-D-T	15 Ft	11 Gauge	4x4 in	11 in	8-11 in	2.75 in
DTH-20FT4-11G-D-T	20 Ft	11 Gauge	4x4 in	11 in	8-11 in	2.75 in
DTH-25FT4-11G-D-T	25 Ft	11 Gauge	4x4 in	11 in	8-11 in	2.75 in
DTH-30FT5-11G-D-T	30 Ft	11 Gauge	5x5 in	11 in	8-11 in	2.75 in

Round steel poles

Specification type	Height	Wall thickness	Shaft base	Weight (LBS)	Bolt size
DTH-R10FT3-11G-D	10 Ft	11 Gauge	3" dia	72	MO.75" x 19.69" x 3.94"
DTH-R15FT3-11G-D	15 Ft	11 Gauge	4" dia	95	
DTH-R20FT4-11G-D	20 Ft	11 Gauge	4" dia	149	
DTH-R25FT4-11G-D	25 Ft	11 Gauge	4" dia	176	
DTH-R30FT5-11G-D	30 Ft	11 Gauge	5" dia	242	MO.75" x 19.69" x 3.94" / MO.95" x 36" x 4"

DIRECT BURIAL SQUARE AND ROUND STEEL POLES

APPLICATIONS

Direct burial square and round steel poles are built from high strength steel tube and are standard side drilled for arm mount. Heights of 10 to 30 feet are available..

Specifications and Features: Conforms to ASTM-A 500 Grade B: Minimum yield strength of 46,000 PSI.

Finish: Textured architectural bronze powder coat finish, baked to ensure maximum paint adhesion, hardness and durability.

Pole Length: 10, 15, 20, 25 and 30 feet

MOUNTING OPTIONS

DIRECT BURIAL SQUARE: When using Arm or Slip-Fitter Mounts, additional installation parts may be required to ensure proper installation. (example: with Slip-fitter a bullhorn will be the option)

TOP MOUNT: Installing ARM (optional) will need to take-off the Tenon standard package and put rain cover on top.

DIRECT BURIAL ROUND: When using Arm Mounts, additional installation parts may be required to ensure proper installation

TOP MOUNT: Round Pole Tenon Adapters (optional) can be installed for a use with a Slip-Fitter or Multi-Fixture installation requiring Bullhorns, Spokes etc.

WARRANTY

* 7-year

ORDERING INFORMATION



Direct burial straight round steel poles

Specification type	Height	Wall thickness	Shaft base	Subsurface depth	Size
DTH-RDB10FT-11G-D	10 Ft	11 Gauge	4x4 in	3ft	4" x 4"
DTH-RDB15FT-11G-D	15 Ft	11 Gauge	4x4 in	3ft	4" x 4"
DTH-RDB20FT-11G-D	20 Ft	11 Gauge	4x4 in	5ft	4" x 4"
DTH-RDB25FT-11G-D	25 Ft	11 Gauge	4x4 in	5ft	4" x 4"
DTH-RDB30FT-11G-D	30 Ft	11 Gauge	5x5 in	5ft	5" x 5"

Direct burial straight square steel poles

Specification type	Height	Wall thickness	Shaft base	Subsurface depth	Size
DTH-DBS10FT4-11G-D-T	10 Ft	11 Gauge	4x4 in	3ft	4" x 4"
DTH-DBS15FT4-11G-D-T	15 Ft	11 Gauge	4x4 in	3ft	4" x 4"
DTH-DBS20FT4-11G-D-T	20 Ft	11 Gauge	4x4 in	5ft	4" x 4"
DTH-DBS25FT4-11G-D-T	25 Ft	11 Gauge	4x4 in	5ft	4" x 4"
DTH-DBS30FT4-11G-D-T	30 Ft	11 Gauge	5x5 in	5ft	5" x 5"

40'+



400W LED or 51,000 lumens
400W LED = 1250W MH

For heights 40' and above choose a 400W

40'



300W LED or 39,000 lumens
300W LED = 1000W MH

For heights 30' to 39' choose a 300W

30'



200W LED or 29,000 lumens
200W LED = 750W MH

For heights 26' to 29' choose a 200W

25'



150W LED or 19,500 lumens
150W LED = 400W MH

For heights 20' to 25' choose a 150W

High bay suggested mounting heights

CONVERSION CHART



Existing
MH, CFL, HPS, HID

175W =



Shoebox

45W or 5,850 lumens

250W =

60W or 7,800 lumens

400W =



Wall pack

150W or 19,500 lumens

750W =

200W or 29,000 lumens

1,000W =



UFO

300W or 39,000 lumens

1,250W =

400W or 51,000 lumens

1,500W =



450W or 58,000 lumens

1,800W =



Linear high bay

600W or 80,000 lumens



D-TEC LED LLC
13375 N. Stemmons Frwy
Suite 110
Farmers Branch, TX 75234
Tel: 972-290-0149
e-Mail: sales@dtecl.com
www.dtecl.com