



STANDARD

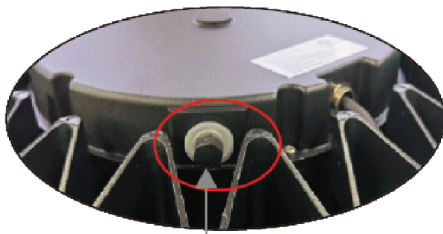


APPLICATIONS

This D-TEC LED Post Top Light is designed to replace traditional 300-400 metal halide light. It can be mounted on to 2 7/8 inch post. High-performance light with 50,000 hours of operation and over 80% power saving performances. Wattage selectable 100W, 120W, 150W.

FEATURES

- * Standard in 5000k color temperature
- * Wattage selectable 100W, 120W, 150W
- * 130 Lu/W - 13,000 lumen @ 100W, 15,600 @ 120W, 19,500 @ 150W
- * Universal 100-277 AC voltage (50-60 Hz)
- * Power factor > 0.90
- * 120 degree beam angle
- * Color rendering Index > 72
- * Die cast aluminum housing, painted black
- * Photocell option
- * Dimmable
- * Total harmonic distortion <20%.



Photocell option

ORDERING INFORMATION

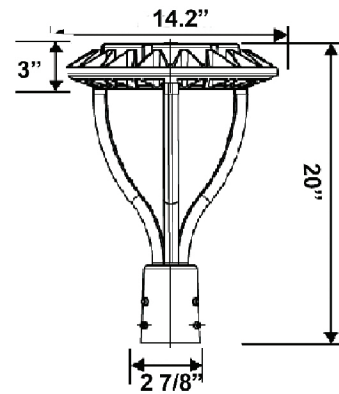
PART #	Color Temp	Lumens	Wattage selectable	Lumen/watt	Voltage
DTH-PT-P	5000K	13000, 15,600, 19,500	100/120/150	130	100-277V



WARRANTY & DETAILS

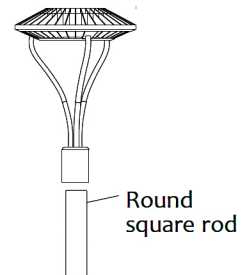
- * ETL
- * DLC premium listed
- * 5-year warranty of all electronics and housing

DIMENSIONS

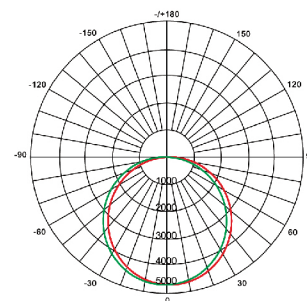


MOUNTING OPTIONS

Insert the lamp into the square pole of the corresponding size, and connect the wire to tighten the screw.



PHOTOMETRICS



AVERAGE BEAM ANGLE[50%]: 108°