



## STANDARD



### APPLICATIONS

This parking garage canopy LED series can be widely used in outdoor lighting (wet location). It is Kelvin selectable 3K, 4K, 5k and wattage selectable 30W, 45W and 60W. Ideal for canopies, loading docks, parking garage, buildings, industrial areas, sidewalks, schools and many additional applications. The premium optics design greatly improves this light's coverage area.

### FEATURES

- \* **Color temperature tunable : 3K, 4K and 5K**
- \* Philips Lumileds 2835
- \* **Wattage selectable: 30W/45W/60W**
- \* Lumens: 131 Lm/W @ 7860 Lumens in 3K ; 145 Lm/W @ 8700 Lumens in 4K and 140 Lu/w @8400 Lm in 5K
- \* Universal 100-277V AC input voltage
- \* Dimmable with 0-10V
- \* *Sensor receptacle built-in*
- \* *Light fixture and finish endurance tested to withstand 3000 hours of elevated ambient salt fog conditions as defined in ASTM Standard B 117*
- \* *Die Cast aluminium housing with durable dark bronze powder coat paint. Clear stripped PC diffuser*
- \* *High efficiency LED Driver*
- \* *Power factor > 0.90*
- \* *Total harmonic distortion <20%*

### ORDERING INFORMATION

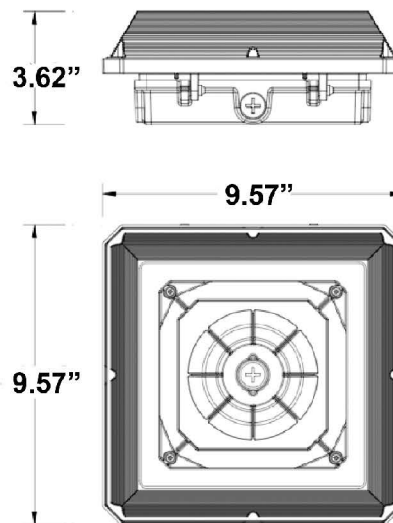
PART #	CCT Color Temp	Lumens	Lumen/watt	Wattage Selectable
CLL-PG07	3000K	7,860	131	30W/45W/60W
	4000K	8,700	145	30W/45W/60W
	5000K	8,400	140	30W/45W/60W



### WARRANTY & DETAILS

- \* *UL listed*
- \* *DLC premium Listed*
- \* *IP65 rating*
- \* *5-year warranty on all electronics and housing*
- \* *-40 F to 122 F operating temperature.*

### DIMENSIONS

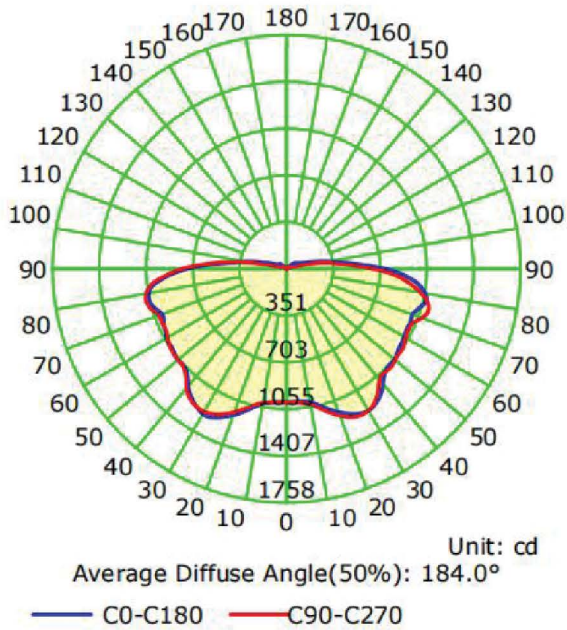


### MOTION SENSOR

- \* Motion sensor HD07BR optional - Sold separately

## PHOTOMETRIC DATA

Luminous Intensity Distribution Curve



The Average Illuminance Effective Figure

