



STANDARD



APPLICATIONS

This LED Linear High Bay fixture has premium quality performance and technology. Ideal for one-to-one replacements for conventional HID, T8 or T5 fluorescent fixture. The revolutionary high efficacy light output of 150 Lumens per watt will reduce overall operation costs. Primary use as high bay lighting for commercial and industrial buildings. Standard V-hook chain mount. Pendant mount optional. Wire guard and motion occupancy sensor optional.

FEATURES

- * Manufactured for durability using a die-formed steel housing finished with polyester powder coating to resist corrosion and scratching and polycarbonate diffuser.
- * Mounting hardware includes V-hooks and chains
- * LED efficacy up to 150 lumens per watt
- * 100-277V AC input voltage providing long-life LEDs with 75,000 hours of operation
- * Polycarbonate diffuser
- * High Voltage 110V-277V (50-60 Hz)
- * Equipped with 0-10V dimming capability
- * Power Supply: WePower premium driver
- * Color rendering Index >80
- * Beam Angle : 110 Degree
- * Power Factor: >0.9
- * Can operate in temperatures -4°F to 104°F

ORDERING INFORMATION

PART #	Size	Rated Wattage	Total lumens	CCT
CLL-B08-165W-H-5K	4 ft	165W	24,750	5000K
CLL-B09-225W-H-5K	4 ft	225W	33,750	5000K
CLL-B11-325W-H-5K	4 ft	325W	48,000	5000K

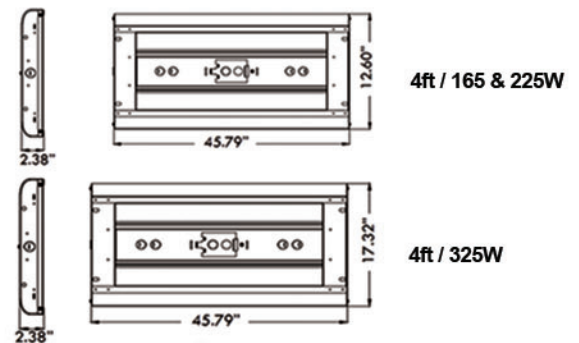
WARRANTY & DETAILS

- * UL Listed. All components have UL certification. UL Class 2 Driver: SCP, OTP, OVP protection, FCC Part 15 Class B, UL8750 Class 2.
- * DLC Premium
- * Flicker free per IEEE 1789-2015 (no observable adverse effects of flicker at 100% light output level)
- * 7-year warranty

OPTIONS

- * Occupancy sensor and wire guard
- * Pendant mount & Surface mount available

DIMENSIONS



MOUNTING

- * Standard with V hook & chain

OPTIONS (order separately)
Wire Guard Small : CLL-BOSM-WG
Wire Guard Large : CLL-BOLG-WG
Pendant Mount : CLL-BO-PNDNTMT
Occupancy Motion Sensor : OSFHU
Emergency Driver (up to 225W) : BLD-AM20-20W

Part No	CLL-BO
Lumens/ watt	150 LU/W
CLL-BO8-165W	24,750 Lumens
CLL-BO9-225W	33,750 Lumens
CLL-B11-320W	48,000 Lumens
CCT	5000K
Input Voltage	AC 120-277V

Power Frequency	50- 60 Hz
CRI	> 80 Ra
Power factor	> 0.90
Total Harmonic Distortion	<20%
Material	Die Cast Aluminum
Operating Temperature	-4°F to 104°F
Life Span	>75,000 Hrs

PHOTOMETRIC DATA

CLL-BO3-225W-H

