

# DTH-6-ICAT / DTH-4-ICAT

# 4" AND 6" IC LED DEDICATED CANS



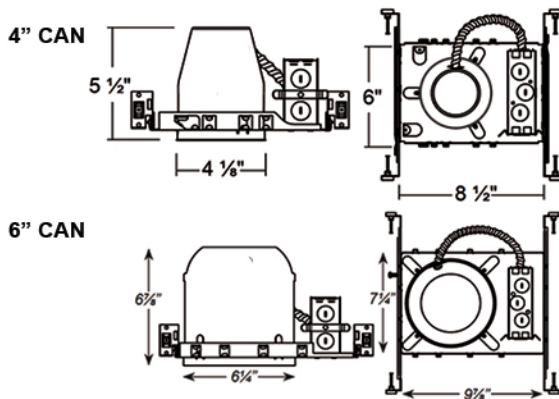
## APPLICATIONS

4" and 6" Dedicated IC housing available in New Construction and Remodel applications and suitable for direct contact with insulation. Air-Tight construction reduces energy costs by reducing the amount of air leakage through the ceiling.

## NEW CONSTRUCTION

- Galvanized steel construction with removable housing for junction box access
- Pre-installed Real nails easily installs in regular and engineered lumber
- 13<sup>5</sup>/<sub>8</sub>" - 25" Adjustable bar hangers can be repositioned 90° on plaster frame

## DIMENSIONS



## ORDERING INFORMATION

PART #	DESCRIPTION
DTH-4ICAT-NW	4" ICAT LED dedicated can for new construction
DTH-4ICAT-RMD	4" ICAT LED dedicated can for remodel applications
DTH-6ICAT-NW	6" ICAT LED dedicated can for new construction
DTH-6ICAT-RMD	6" ICAT LED dedicated can for remodel applications

## FEATURES

- Listed for through-branch circuit wiring
- Contains one (1) 1<sup>1</sup>/<sub>8</sub>", six (6) 7<sup>8</sup>/<sub>8</sub>" and four (4) Romex pryouts with strain relief
- cULus Listed for Damp Locations & feed-through
- Certified under ASTM-E283 for Air Tight construction
- Meets the state of California Title 24 Requirements
- Standard E26 socket base (New construction + remodel)

## REMODEL

- Galvanized steel construction with removable housing for junction box access
- Installs into existing drywall or wood ceilings with no above access
- Four (4) remodel clips secure housing and accommodates 1/2" and 5/8" ceiling materials

## DIMENSIONS

