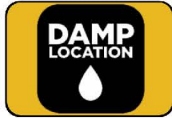




Certified LED Lights®

STANDARD



APPLICATIONS

The Billda BLD-GM30H-20W is a 20W LED emergency driver designed for LED fixtures where low voltage output is accessible. Designed to mount remotely or on top of the fixture. Rated to provide a minimum of 90 minutes of emergency illumination. Great for Schools, hospital, warehouses.

FEATURES

- * Emergency power: 20W
- * For use with switched or unswitched fixtures
- * Built-in lithium Battery
- * Universal 120-347V, 50-60 Hz input
- * Output current: 130-400mA
- * Output power: 20W ; DC50-150V
- * Short circuit protection
- * High temperature, maintenance free NI-Mh battery
- * Meets 500 cycles of standard charge and discharge
- * 90 Minute minimum emergency operating time over full temperature range
- * 24 Hour maximum battery recharge time
- * IP rating: waterproof IP65

MOUNTING OPTIONS

- * Suitable for installation on top or in remote of the fixture
- * Can be used in both switched and unswitched fixtures

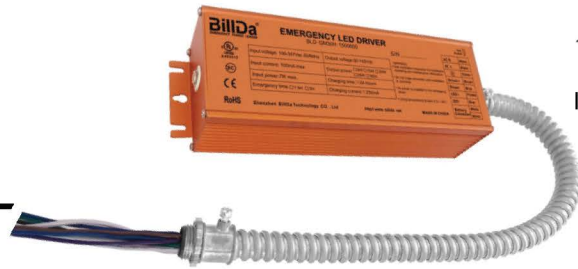
HOUSING

- * Durable painted steel construction in orange finish

ORDERING INFORMATION

PART #	Battery	Power	Output Power
BLD-GM30H-20W	Li-on 11.1V 4000 mA	20W	DC 50-150V

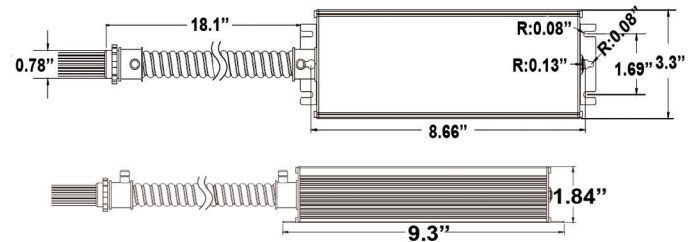
Ideal for :



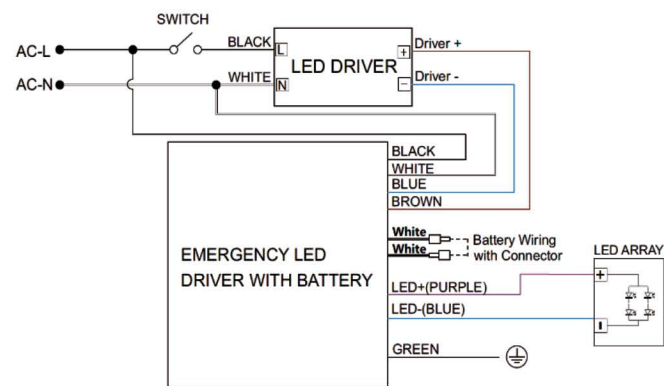
WARRANTY & DETAILS

- * Five year warranty on all electronics and housing
- * Meets standard CSA C22.2 No 141, UL924, NFPA 101 Life Safety Code, NEC, /OSHA, Local and State Codes
- * UL listed for factory or field installation
- * Suitable for damp locations (32°F - 104°F)

DIMENSIONS



WIRING DIAGRAM



- * Do not mate connector until installation is complete and AC power is supplied
- * Test accessory leads and observe proper polarity wiring