

LEGACY AREA LIGHT 300W PC Photocell



STANDARD



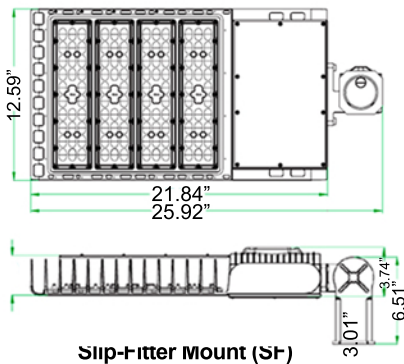
The Legacy Area light is a group of premium architectural LED lights designed to illuminate parking areas, pathways, building facades, loading docks and a wide variety of other large general site lighting applications. Slip-fitter mount makes the 300W Legacy Area Light a versatile light for flood lighting, pole, ground and wall mounted area lighting and other outdoor lighting requirements.

Features

- Standard in 5000K
- 100-277V AC input voltage providing long-life LEDs with 50,000 hours of operation (Ta=86 F @LM70)
- 45,000 lumens
- Philipp's Lumileds LED chips
- Premium SOSEN driver
- Die cast aluminum housing with durable dark bronze powder coat finish with at least 2 mils thick on all surfaces and a heat resistant polycarbonate lens.

Mounting and Dimensions

- Slip-fitter mounting is adjustable up to 90 degrees in both directions.



Slip-fitter Mount (SF)



Warranty & Listing

- ETL
- DLC Listed
- IP65 "wet Location" rated
- Flicker free per IEEE 1789-2015 (no observable adverse effects of flicker at 100% light output level)
- 5-year warranty on all electronics and housing

- Power factor > 0.90
- Universal 100-277 AC voltage (50-60 Hz)
- Total harmonic distortion <20%
- Color rendering Index >80
- Dusk to Dawn sensor included
- Easy installation in new construction or retrofit
- Wireway enclosure is sealed with a water-tight, silicon rubber gasket
- 0-10 Dimmable. Dims down to 10%

Photocell Sensor "Dusk to Dawn"



Our 400W LED area light comes with a free twist-lock photocell sensor. It can be installed with a push and a click



If you don't need the Photocell Sensor, you can swap the Blue cap with the shorting black cap with a push and click.

(PC)

ORDERING INFORMATION

PART #	Color Temp	Mounting options		PC	Photocell
		SF	Split-Fitter Mount		
CLL-LGCY-300W-PC	5000K				

Specifications and dimensions subject to change without notice

www.certifiedledlight.com (800)373-2110
13375 N. Stemmons Frwy, Ste 300, Farmers Branch TX 75214

CLL-LGCY-300W-5K-SF-PC
Rev May 22, 2020

LEGACY AREA LIGHT 300W PC Photocell

Part No	CLL-LGCY-300W-5K (SFPC)
LED Type	PHILIPS LUMILEDS
LED QTY	448 PCS
Luminous flux	150 LM /W (CCT=5000k) 5%
Luminous flux	45,000 LM (CCT=5000K) 5%
CCT	5000 K
Beam Angle	TYPE III/90 X 120
CRI	> 80 Ra
System Efficiency	> 90
Power Supply	SOSEN
Input Voltage	AC 100- 277 V
Power Frequency	50 / 60 Hz
Output Voltage	Dc 28.8-48V
Output Current	3.35-6.7A (Constant Current)
Power Efficiency	> 90%

Power factor	> 0.90
Total Harmonic Distortion	< 15%
System Power Consumption	300 W ± 5 W
LED Power Consumption	285 W ± 5 W
Fixture Material	ADC12 Aluminum alloy
Ingress Protection	IP 65
Net Weight	20.46 Lbs ± 1.1 Lbs
Gross Weight	22.22 Lbs ± 1.1 Lbs
Life Span	>50,000 Hrs (Ta=86°F@LM 70)
Junction temperature	< 167° F (Ta=86°F)
Storage Temperature	(-40° F ~ + 158° F)
Operating Temperature	(-22° F ~ +122° F)
Operating Humidity	15 – 90 % RH
Outlook Dimensions	L 25.9" * W 13" * H 3.74"
Carton Size	L 31.3" * W 14.5" * H 5.7"

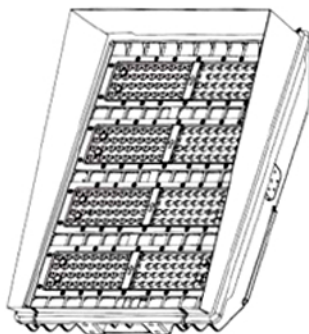
Accessories

Shields

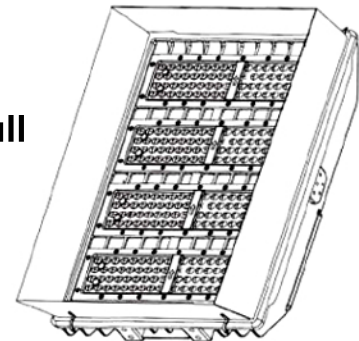
Half

* contact manufacturer to special order

CLL-LGCY-LG-HGS



CLL-LGCY-LG-FGS

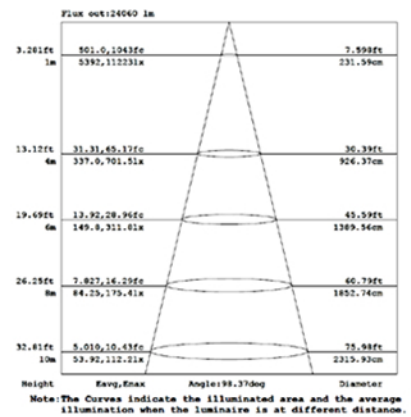
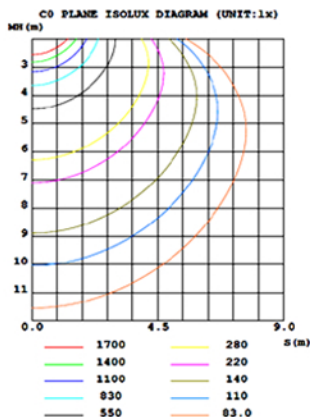
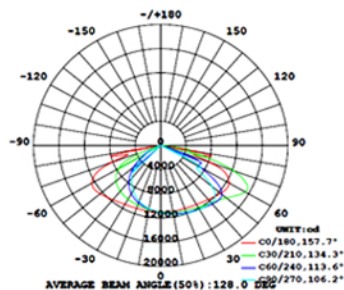


Full

Photometric Data

300W - 45,000 LUMENS

LUMINOUS INTENSITY DISTRIBUTION DIAGRAM



Specifications and dimensions subject to change without notice

www.certifiedledlight.com (800)373-2110
13375 N. Stemmons Frwy, Ste 300, Farmers Branch TX 75214

CLL-LGCY-300W-5K-SF-PC
Rev May 22, 2020