



## STANDARD



## APPLICATIONS

The BLD-CM20N-8W- is a 8W LED emergency driver designed for LED fixtures such as 4ft linear strips and 4ft vapor tights. Designed to be mounted remotely or on top of the fixture. Rated to provide a minimum of 90 minutes of emergency illumination. When the AC power goes out, the emergency driver detects the AC power outage and automatically switch to the working emergency mode. When the AC power is restored, it starts re-charging. Great for Schools, hospital, warehouses, parking lots.

## FEATURES

- \* External LifePO4 battery - 6.4 V / 3000Ah
- \* Battery protections: over charge protection, over discharge protection, short circuit protection
- \* The batteries meets 500 Cycles of standard CH and standard DCH
- \* Universal 100-277V, 50-60 Hz input
- \* Test Switch indicator light
- \* Output power: 8W ; Output current and voltage: 200-400mA - 25-48 Vdc
- \* 90 Minute minimum emergency operating time over full temperature range
- \* 24 Hour maximum battery recharge time

## MOUNTING

- \* Designed for installation inside of the fixture
- \* Can be used in both switched and unswitched fixtures

## ORDERING INFORMATION

PART #	Output Ratings	
BLD-CM20N-8W	Voltage (VDC)	Power(W)
	25-48	8



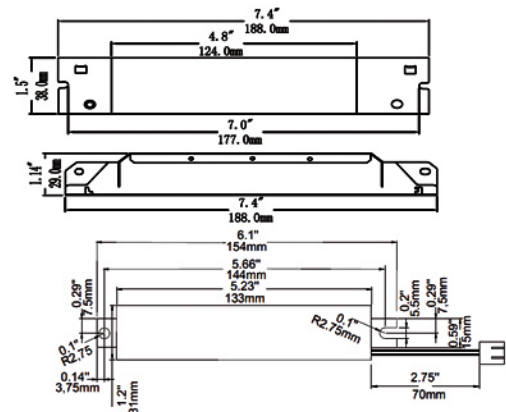
Ideal for :

4ft linear and 4ft vapor tights

## WARRANTY / LISTING

- \* Five year warranty on all electronics and housing
- \* Meets standard CSA C22.2 No 141, UL924, NFPA 101 Life Safety Code, NEC, /OSHA, Local and State Codes
- \* UL listed for factory or field installation
- \* Suitable for damp locations (32°F - 122°F)

## DIMENSIONS



## HOUSING

- \* Durable painted steel construction in orange finish

## WIRING DIAGRAM

