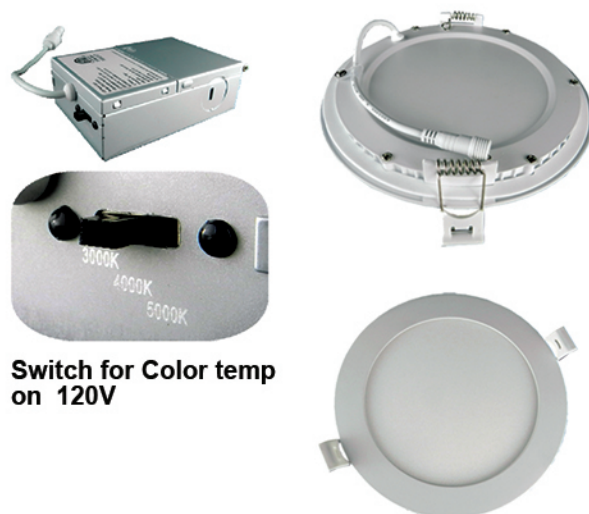


# CLL-FRP4-CCT

# THIN WAFER RECESSED LED DOWNLIGHT



STANDARD



Switch for Color temp on 120V

## APPLICATIONS

The ultra thin recessed wafer downlight is perfect for both new construction and remodel applications. These lights are IC rated and Air Tight which means they do not require can housing and their thin design makes them ideal for working around ceilings joints in recessed applications where space is limited. The FRP4" is 3 Kelvin selectable (3K, 4K, 5K) and accepts 120V input and is triac dimmable.

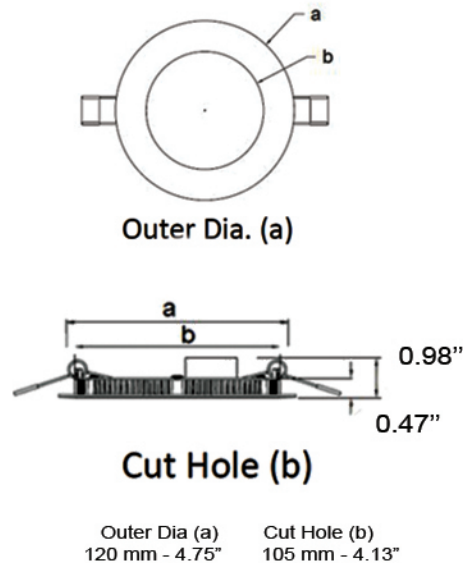
## WARRANTY / LISTING

- ETL Listed for damp locations in US & Canada (new construction & retrofit)
- Energy Star certified
- Passes FCC Class A
- Five year warranty

## FEATURES

- Type IC Rated: No Housing Required
- Air Tight: Suitable for Damp Locations
- Junction Box Complies to ETL Safety Standard
- High Lumens Output
- Triac dimmable - compatible dimmers: Lutron, Legrand, Leviton
- Applications: Recessed
- Color Temperature: 3000K / 4000K / 5000K adjustable
- CRI: >80
- Beam Angel: 24° / 38° on FRP 120V
- Power Factor: 0.9
- Lifetime: 50,000 hours
- Protection: Surge protection, short circuit
- Led Type: SMD2835 with LM -80
- Working temperature: -4 F to 140F

## DIMENSIONS

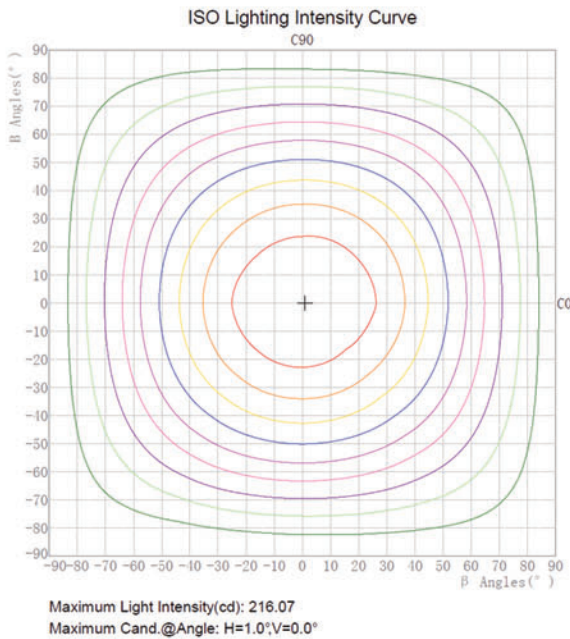


PART #	KELVIN	LUMENS	ENERGY USED	HALOGEN EQUIVALENT
CLL-FRP4-CCT	3000,4000,5000	750	9W	90W

Part No	CLL-FRP4-3CCT
LED Type	SMD 2835
Luminous flux	83 LM /W
Luminous flux	750 LM
CCT	3000K, 4000K, 5000K
Beam Angle	24° / 38°
CRI	> 80 Ra
Input Voltage	AC 90-130 V
Power Frequency	50 / 60 Hz

Power factor	> 0.90
Total Harmonic Distortion	< 20%
System Power Consumption	9 W
Ingress Protection	IP 20
Life Span	>50,000 Hrs
Operating Temperature	-4°F to 140°F

## PHOTOMETRIC DATA



- Curves:**  
[Unit: cd]  
[IMax] =216.067
- [IMax\*90%]=191.460
  - [IMax\*80%]=172.854
  - [IMax\*70%]=151.247
  - [IMax\*60%]=129.640
  - [IMax\*50%]=108.034
  - [IMax\*40%]=86.427
  - [IMax\*30%]=64.820
  - [IMax\*20%]=43.213
  - [IMax\*10%]=21.607

