

LEGACY AREA LIGHT 400W (HV only)



Certified LED Lights®

STANDARD



The Legacy Area light is a group of premium architectural LED lights designed to illuminate parking areas, pathways, building facades, loading docks and a wide variety of other large general site lighting applications. Multiple mounting options make the 400W Legacy Area Light a versatile light for flood lighting, pole, ground and wall mounted area lighting and other outdoor lighting requirements.

FEATURES

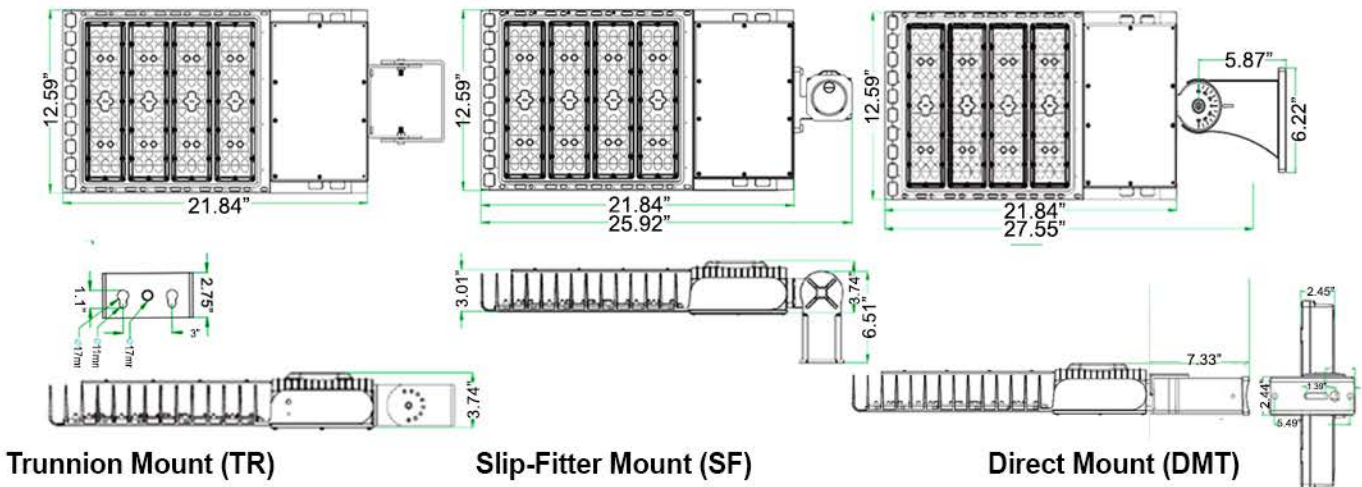
- Standard in 5000K
- 480V AC input voltage
- 58,000 lumens.
- Philips Lumileds LED chips.
- Premium SOSEN driver.
- Die cast aluminum housing with durable dark bronze powder coat finish with at least 2 mils thick on all surfaces and a heat resistant polycarbonate lens.
- 0-10 dimmable. Dims down to 10%

WARRANTY & LISTING

- ETL.
- DLC Listed
- IP65 "wet Location" rated.
- Flicker free per IEEE 1789-2015 (no observable adverse effects of flicker at 100% light output level).
- 5-year warranty on all electronics and housing.
- Power factor > 0.90.
- Total harmonic distortion <20%.
- Color rendering Index >80.
- Optional full and half glare shields are available.
- Optional Dusk to Dawn sensor.
- Easy installation in new construction or retrofit.
- Wireway enclosure is sealed with a water-tight, silicon rubber gasket.

MOUNTING OPTIONS & DIMENSIONS

- Trunion and Slip-fitter mounting is adjustable up to 90 degrees in both directions.



ORDERING INFORMATION

PART #	Color Temp	Mounting options	
CLL-LGCY-400W	5000K	TR Trunion Mount DMT ADJ Direct Mount SF Split-Fitter Mount	HV: 200V-480V

Specifications and dimensions subject to change without notice

www.certifiedledlight.com (800)373-2110
13375 N. Stemmons Frwy, Ste 300, Farmers Branch TX 75214

CLL-LGCY-400W
Rev May 22, 2020

LEGACY AREA LIGHT 400W HV only

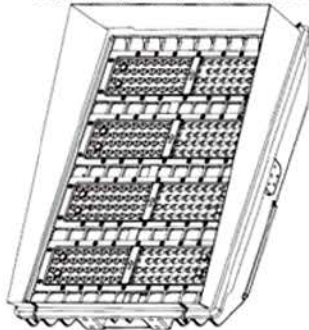
Part No	CLL-LGCY-400W-5K(SF,TR, DMT)	Power factor	> 0.90
LED Type	PHILIPS LUMILEDS	Total Harmonic Distortion	< 15%
LED QTY	448 PCS	System Power Consumption	400 W ± 5 W
Luminous flux	145 LM /W (CCT=5000k) 5%	LED Power Consumption	390 W ± 5 W
Luminous flux	58,000 LM (CCT=5000K) 5%	Fixture Material	ADC12 Aluminum alloy
CCT	5000 K	Ingress Protection	IP 65
Beam Angle	TYPE III/90 X 120	Net Weight	20.5 Lbs ± 1.1 Lbs
CRI	> 80 Ra	Gross Weight	22.22 Lbs ± 1.1 Lbs
System Efficiency	> 90	Life Span	>50,000 Hrs (Ta=86°F@LM 70)
Power Supply	SOSEN	Junction temperature	< 167° F (Ta=86°F)
Input Voltage	200-480v	Storage Temperature	(-40° F ~ + 158° F)
Power Frequency	50 / 60 Hz	Operating Temperature	(-22° F ~ +122° F)
Output Voltage	DC 28.8-48V	Operating Humidity	15 – 90 % RH
Output Current	5.9-5A (Constant Current)	Outlook Dimensions	L 25.9" * W 12.59" * H 3.74"
Power Efficiency	> 90%	Carton Size	L 31.3" * W 14.5" * H 5.7"

ACCESSORIES

Shields

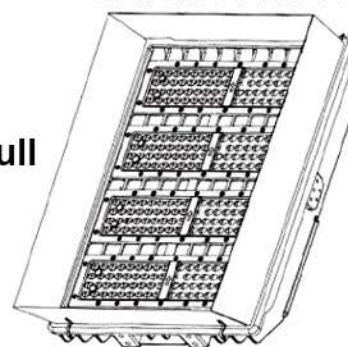
Half

CLL-LGCY-LG-HGS



Full

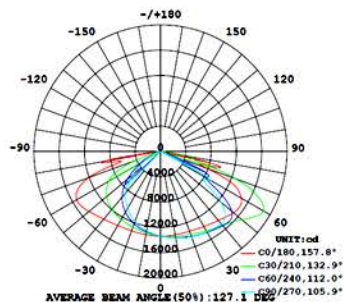
CLL-LGCY-LG-FGS



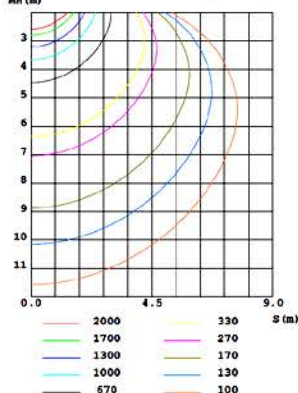
PHOTOMETRIC DATA

400W - 58,000 LUMENS

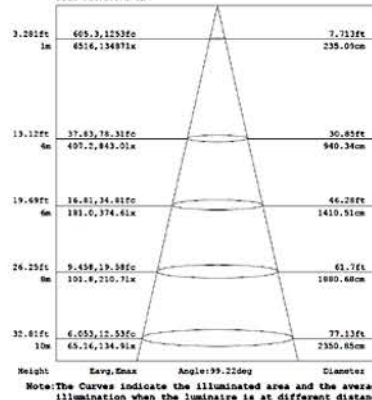
LUMINOUS INTENSITY DISTRIBUTION DIAGRAM



CO PLANE ISOLUX DIAGRAM (UNIT:lx)



Flux out:129072 lm



Specifications and dimensions subject to change without notice

www.certifiedledlight.com (800)373-2110
 13375 N. Stemmons Frwy, Ste 300, Farmers Branch TX 75214

CLL-LGCY-400W
 Rev May 22, 2020