



## STANDARD



## APPLICATIONS

CLL-MWP is a series of premium, rugged, durable LED Wall Packs, which are perfect for outdoor perimeter and area lighting. With a die cast aluminum housing, a polycarbonate lens and a built in photocell, the CLL-MWP402-26W-5K will stand up to many years of harsh environmental conditions. High-efficacy, long-life LEDs provide both energy and maintenance cost savings compared to traditional 75W MH / HID Wall Packs.

## FEATURES

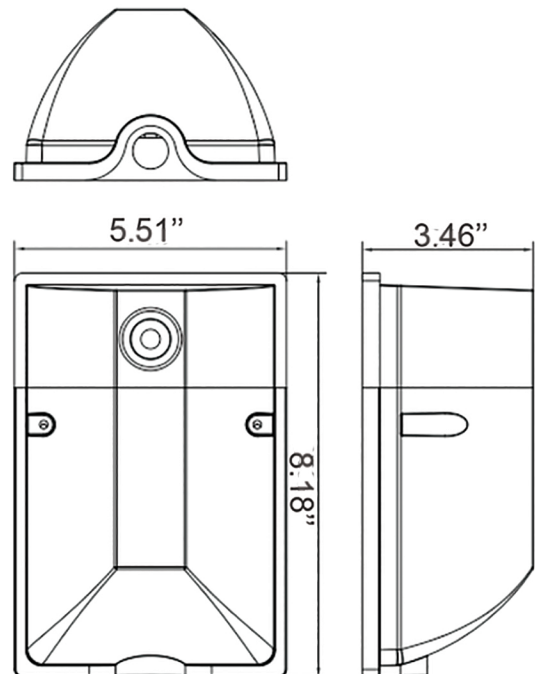
- \* Standard in 5000k color temperatures 115 Lm/W, 2990 lumens
- \* Long-life LEDs provide 50,000 hours of operation
- \* Universal 120-277 AC voltage (50-60Hz) is standard
- \* Power factor > 0.90
- \* Working temperature : -40 F - 122 F
- \* Dusk to dawn photocell
- \* Total harmonic distortion < 20%
- \* Color rendering index > 70
- \* Die cast aluminum housing with dark bronze, powder coat paint
- \* Polycarbonate clear lens
- \* Easy installation in new construction or retrofit

## ORDERING INFORMATION

## WARRANTY & DETAILS

- \* ETL Listed for "wet Location"
- \* DLC Listed
- \* IP 65 rated
- \* Complies with RoHS (Restriction on Hazardous Substances) requirements
- \* 5 year warranty on all electronics and housing

## DIMENSIONS



PART #	Color Temp	Lumens	Lumen/watt	Wattage	Voltage
CLL-MWP402-26W-5K	5000K	2,990	115	26	AC 120-277V