



STANDARD



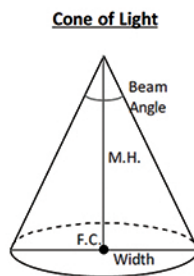
APPLICATIONS

This wall sconce, also known as LED Up and Down light, is a bidirectional light, with two 15 watt integrated LED's throwing light in the upward and downward direction. The total brightness is high enough to brighten up a large area of the wall. These lights are available in 3000 or 5000 kelvin. These lights also are ETL certificated and come with a Manufacturer's warranty of 5 years.

FEATURES

- * Available in 3000K and in 5000k color temperature
- * 120 AC 50/60 Hz input voltage providing long-life LEDs with 153,000 hours of operation
- * 2,449 to 2,509 lumens with 82 lm/W
- * Power factor > 0.90
- * Color rendering Index > 80
- * Dark bronze Aluminum housing and glass lenses
- * Easy installation in new construction and retrofit
- * Switch inside to change from both up and down to just down
- * Total harmonic distortion <20%.

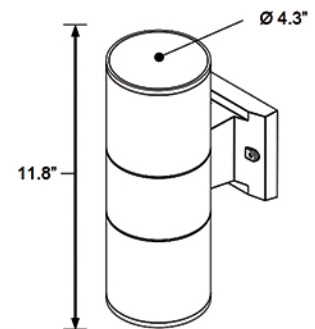
M.H.	F.C.	Width
4'	109	3.3'
6'	48	5.0'
8'	27	6.6'
10'	17	8.3'
12'	12	10.0'
14'	9	11.6'
16'	7	13.3'



WARRANTY & DETAILS

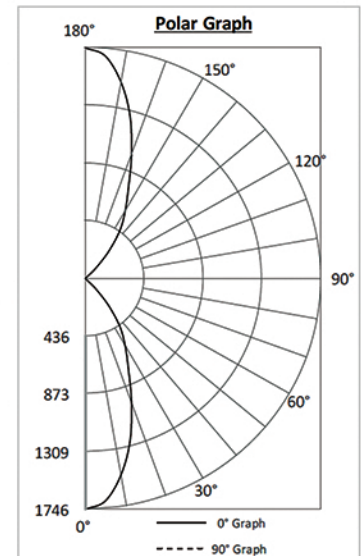
- * ETL listed for wet locations
- * Complies with FCC part 15, Class B
- * Energy star qualified
- * Complies with EN61000-4-5, surge immunity protection (1KV)
- * 5-year warranty of all electronics and housing

DIMENSIONS



PHOTOMETRICS

0°	1,746
10°	1,512
20°	997
30°	589
40°	277
50°	22
60°	6
70°	4
80°	4
90°	0
100°	4
110°	4
120°	6
130°	22
140°	277
150°	589
160°	997
170°	1,512
180°	1,745



ORDERING INFORMATION

Part #	Color temp	Wattage	Lumens/W	Total Lumens
DTH-UPDN-30	3000K	30	82	2,449
	5000K	30	82	2,509