

# STRAIGHT SQUARE STEEL POLES



**Certified LED Lights®**

Product Data Sheet  
Straight Square Steel Poles

All our poles are

**Galvanized  
inside + out**

All our poles are built from high strength steel tube and are standard side drilled for arm mount  
**Specifications and Features:** Conforms to ASTM-A 500 Grade B: Minimum yield strength of 46,000 PSI.

**Finish:** Textured architectural bronze powder coat finish, baked to ensure maximum paint adhesion, hardness and durability.

**Includes:** J-Bolts, set plate, nuts and washers, base cover, tenon top 10 & 15Ft, pole cap on 20,25,30 Ft

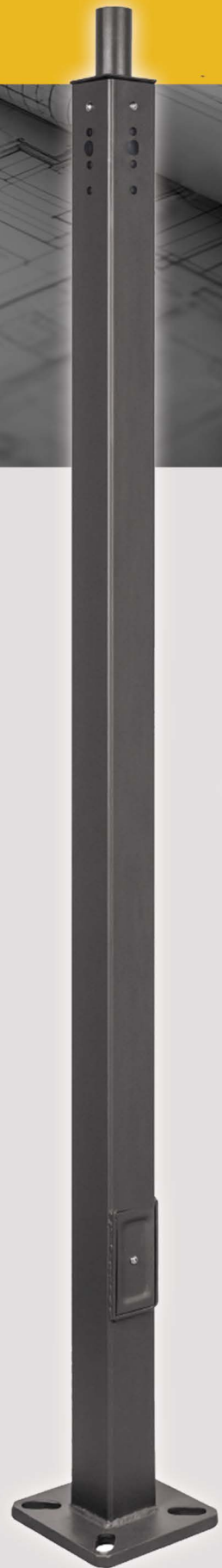
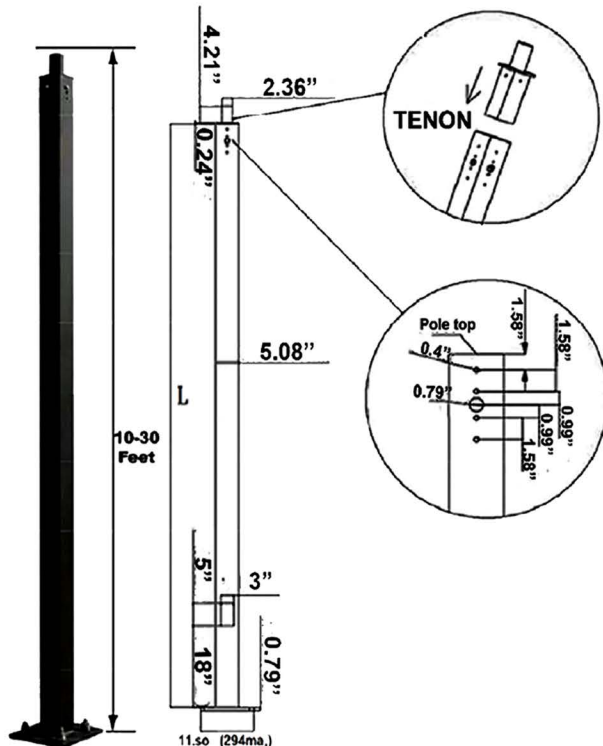
## Mounting options: 10Ft and 15 Ft

**Note:** When using Arm or Slip-Fitter Mounts, additional installation parts may be required to ensure proper installation, such as a pole cap

## Mounting options PMPF models: 20, 25 and 30Ft

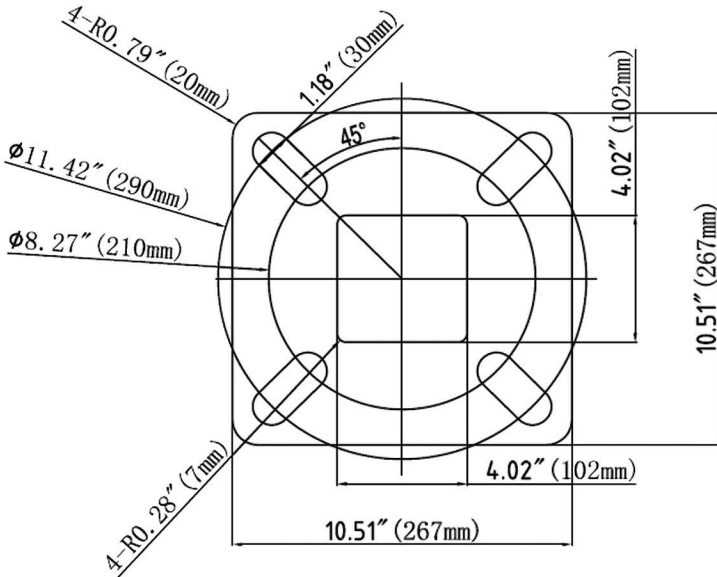
Included standard with each pole are rubber fitted cap / rain guard, and hole plugs for unused mounting holes. All poles are drilled at 90 degrees for side mounting hardware.

If tenon installation is needed, VT4 and VT5 tenon adapters available (sold separately)

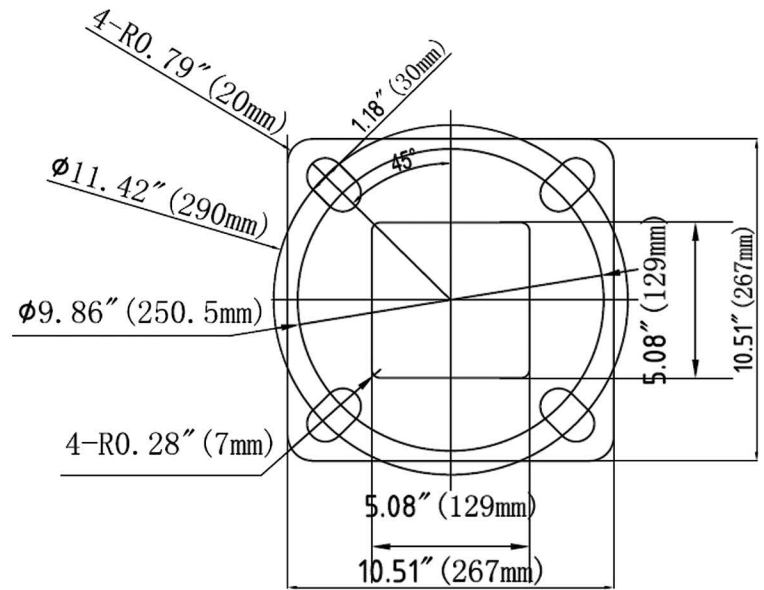


## Dimensions

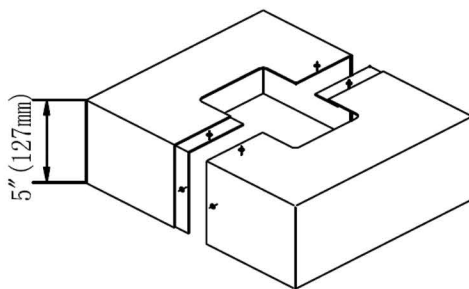
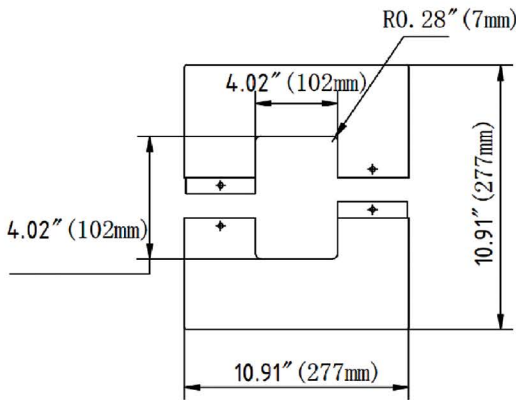
### 4" Flange



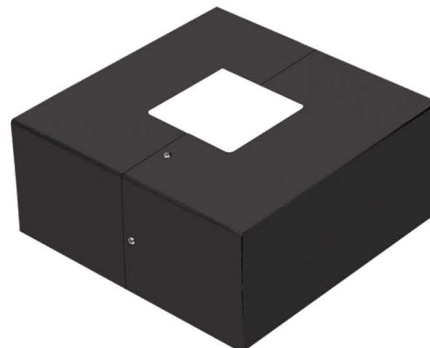
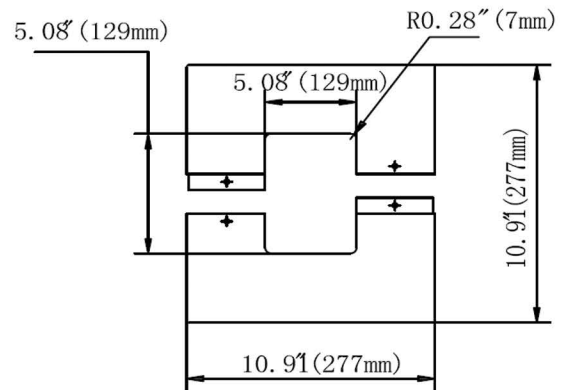
### 5" Flange



### 4" Flange base cover size

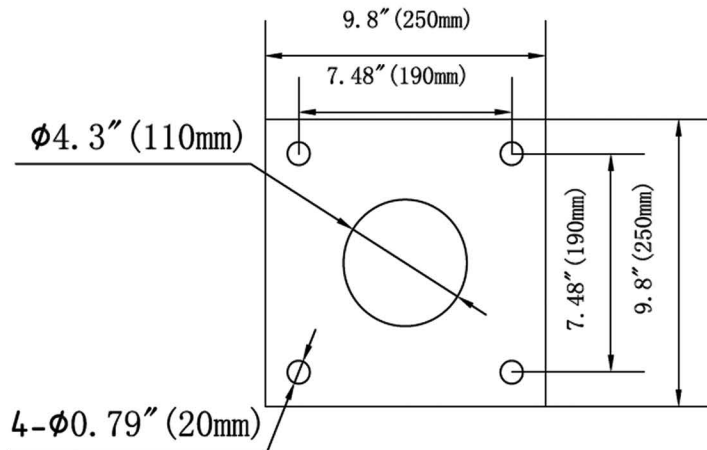


### 5" Flange base cover size

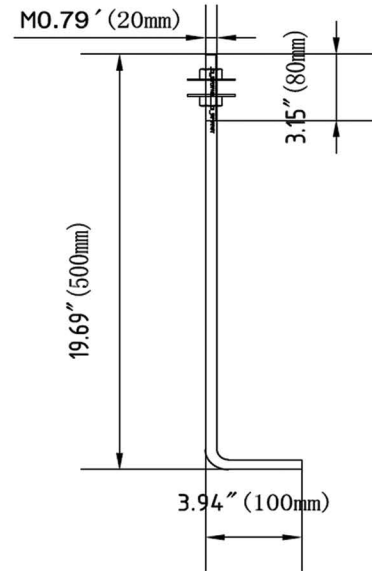


## Dimensions

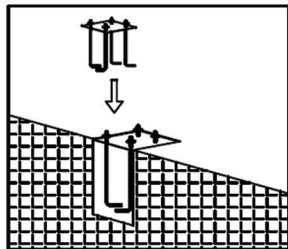
### Anchor Bolt Positioning Plate



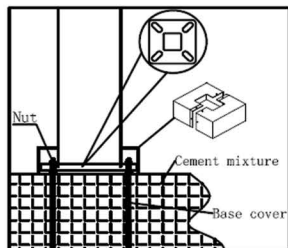
### Anchor Bolt



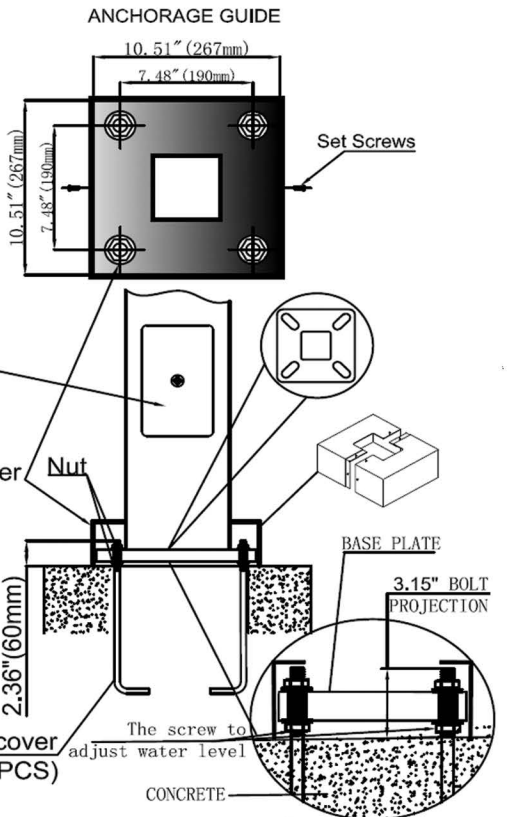
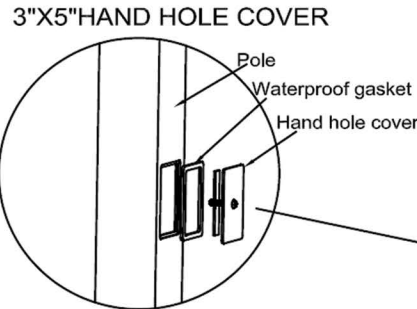
## Installation



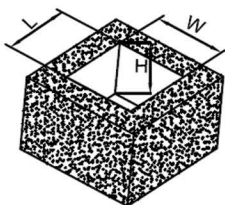
1. Dig a hole in the installation position of the lamp pole. Fixed four fastener fittings according to the hole position of lamp pole and poured with cement concrete. (as shown in the figure)



2. Install 4 screws onto the stick and adjust to same water level, then place the square plate and screw tightly. Install the cover at the bottom of pole. (as shown in the figure)



### Foundation reference specification



Specifications	L	W	H
10-15FT	19.69"(500mm)	19.69"(500mm)	23.62"(600mm)
20-25FT	23.62"(600mm)	23.62"(600mm)	27.56"(700mm)
30FT	27.56"(700mm)	27.56"(700mm)	39.37"(1000mm)

## Ordering Guide

---

Specification type	Height	Wall thickness	Shaft base	Base size	Bolt circle	Bolt projection
DTH-10FT4-D-T	10 Ft	11 Gauge	4x4 in	11 in	8-11 in	2.75 in
DTH-15FT4-D-T	15 Ft	11 Gauge	4x4 in	11 in	8-11 in	2.75 in
PMPF-20FT4-11GA-BNZ	20 Ft	11 Gauge	4x4 in	11 in	8-11 in	2.75 in
PMPF-25FT4-11GA-BNZ	25 Ft	11 Gauge	4x4 in	11 in	8-11 in	2.75 in
PMPF-30FT5-11GA-BNZ	30 Ft	11 Gauge	5x5 in	11 in	8-11 in	2.75 in