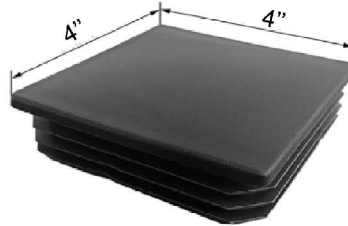


Direct Underground Burial

BLACK ASPHALTUM: Black Asphaltum is an economical, highly protective, acid and alkali-resistant coating designed for Direct burial Light Pole use. This protective coating is applied on either galvanized or powder-coated products to add a supplemental layer of corrosion protection. This combination of galvanizing and/or powder coating coupled with black Asphaltum provides the best below-grade corrosion resistance in the Light Pole industry.

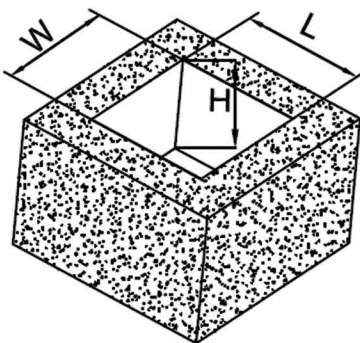
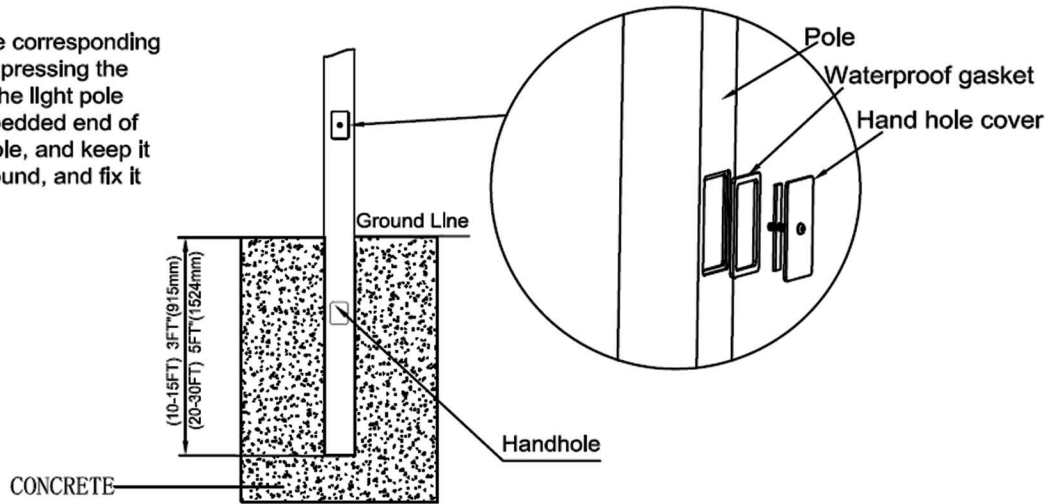
ADVANTAGE:

- Rust proofing properties
- Superior resistance to acids and alkali
- Outstanding adhesion and wear resistance



Installation

Step 1. After digging the corresponding size foundation hole by pressing the table at the location of the light pole installation, put the embedded end of the light pole into the hole, and keep it perpendicular to the ground, and fix it with concrete casting.



Reference design of Concrete size			
Specifications	L	W	H
10-15FT	31.5"(800mm)	31.5"(800mm)	59.1"(1500mm)
20-FT	35.4"(900mm)	35.4"(900mm)	82.7"(2100mm)

Foundation Design: We offer Foundation design references due to variations in soil structure across different areas, and we do not assume any responsibility for this variability.

Specifications

Specifications	Ground height	Pole weight	EPA 70	EPA 80	EPA 90	EPA 100	EPA 110	EPA 120	EPA 130	EPA 140
DTH-DBS10FT4-11G-D-T	10ft	88 lbs	25.2	23.5	20.3	19.4	17.3	15.6	12.3	9.8
DTH-DBS15FT4-11G-D-T	15ft	121 Lbs	15.2	13.5	11.1	9.5	7.9	6.8	5.2	3.8
DTH-DBS20FT4-11G-D-T	20ft	167 Lbs	10.2	9.3	7.5	6.2	4.2	3.6	2.2	1

Ordering Guide

Specification type	Height	Wall thickness	Shaft base	Subsurface depth	Size
DTH-DBS10FT4-11G-D-T	10 Ft	11 Gauge	4x4 in	3ft	4" x 4"
DTH-DBS15FT4-11G-D-T	15 Ft	11 Gauge	4x4 in	3ft	4" x 4"
DTH-DBS20FT4-11G-D-T	20 Ft	11 Gauge	4x4 in	5ft	4" x 4"