

STRAIGHT ROUND STEEL POLES



Certified LED Lights®

Product Data Sheet
Straight Square Steel Poles

All our poles are

**Galvanized
inside + out**

All our straight round steel poles are built from high strength steel tube and are standard side drilled for arm mount and include a tenon mount. Heights of 10 to 30 feet are available..

Specifications and Features: Conforms to ASTM-A 500 Grade B: Minimum yield strength of 46,000 PSI.

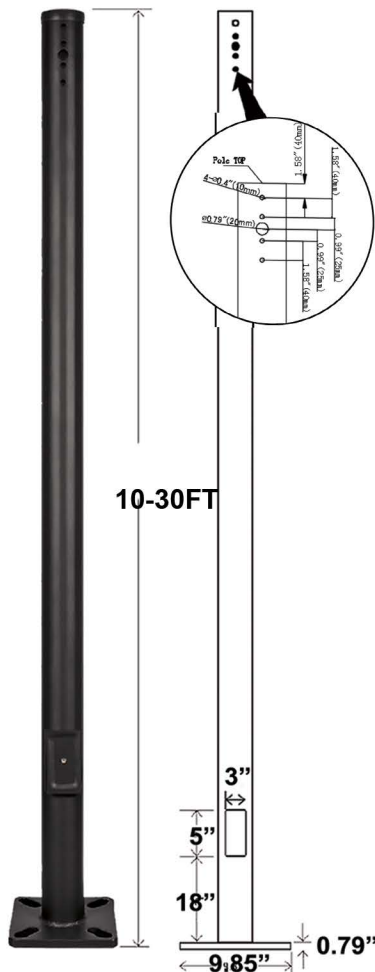
Finish: Textured architectural bronze powder coat finish, baked to ensure maximum paint adhesion, hardness and durability.

Anchor Bolts: Anchor bolts are included.

Hand Hole: Cast iron reinforced hand hole and cover with ground screw.

Base Cover: Poles are provided with a two-piece formed steel base cover that is easily assembled and fitted over pole base.

Pole Length: 10, 15, 20, 25 and 30 feet



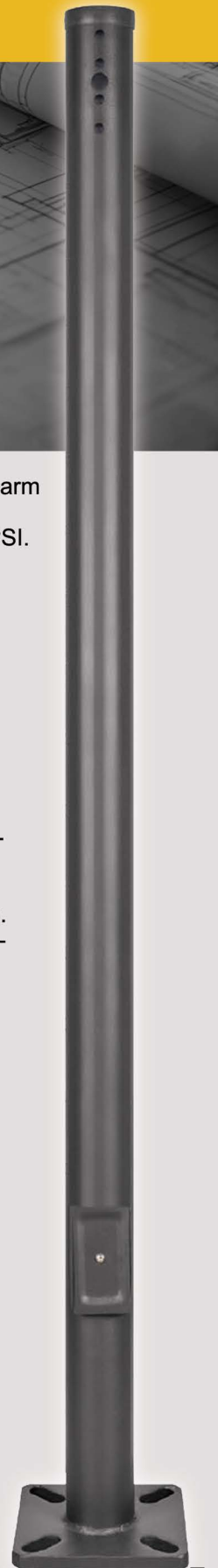
Mounting options

Side mount: Standard length poles are predrilled (2@180°), with a polycarbonate top cover and hole plugs for unused pre-drilled locations.

Note: When using Arm or Slip-Fitter Mounts, additional installation parts may be required to ensure proper installation.

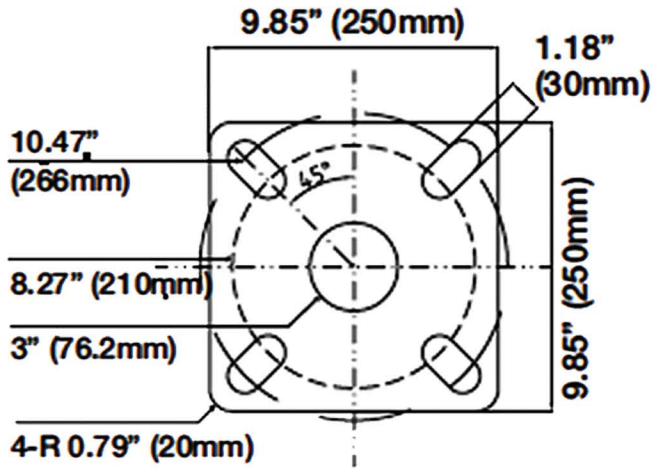
Top mount Round Pole Tenon Adapters (optional) can be installed for a use with a Slip-Fitter or Multi-Fixture installation requiring Bullhorns, Spokes etc.

(3"RND, 4"RND and 5"RND to 2 3/8" Round Tenon Adapters available)

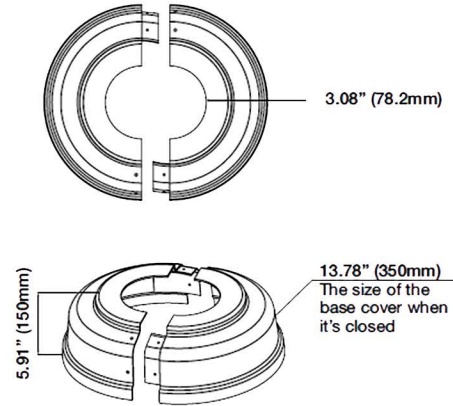


Dimensions

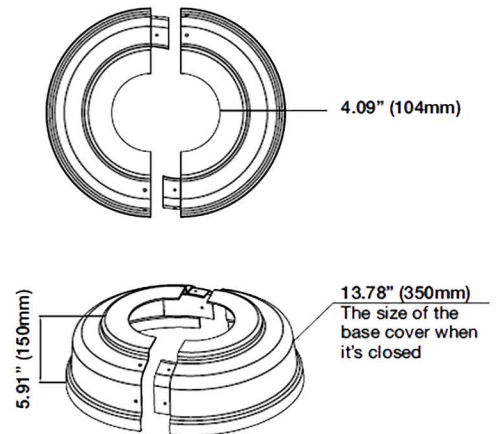
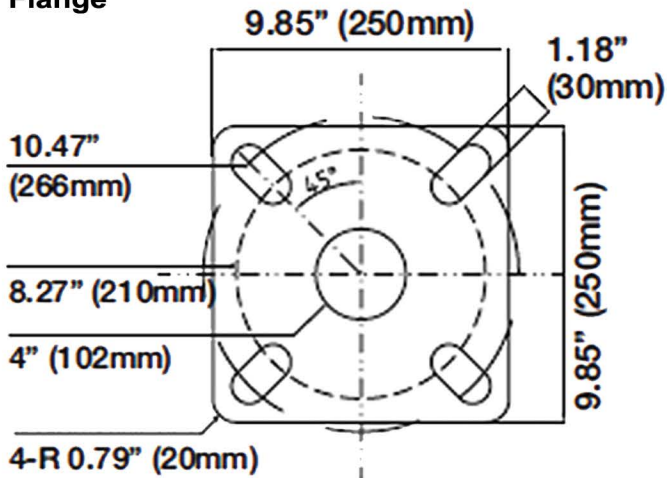
3" Flange



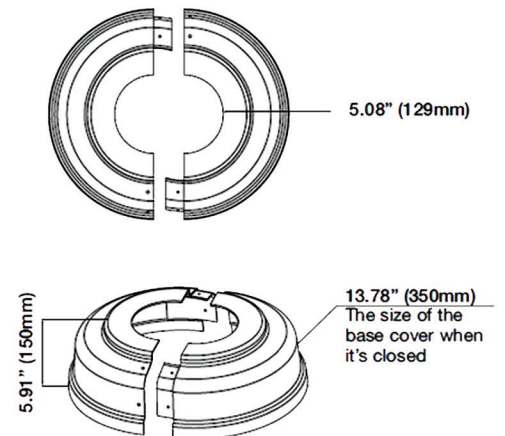
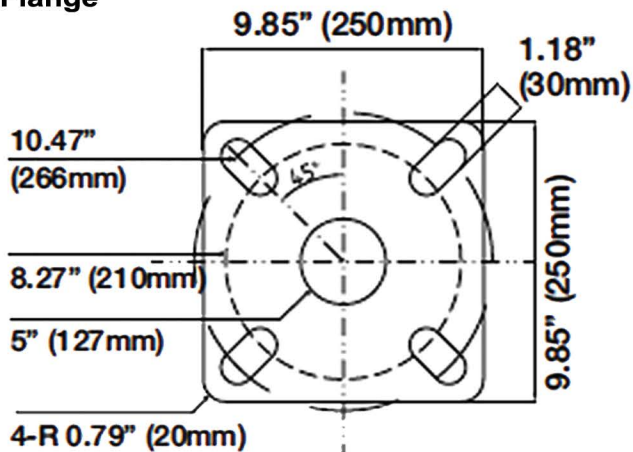
Base Cover



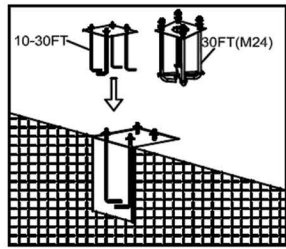
4" Flange



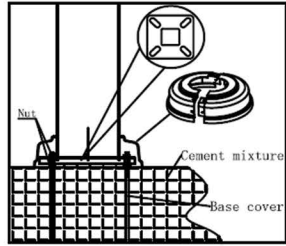
5" Flange



Installation

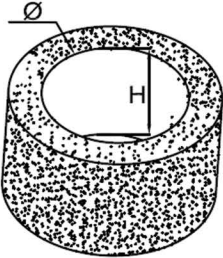


1. Dig a hole in the installation position of the lamp pole. Fixed four fastener fittings according to the hole position of lamp pole and poured with cement concrete. (as shown in the figure)



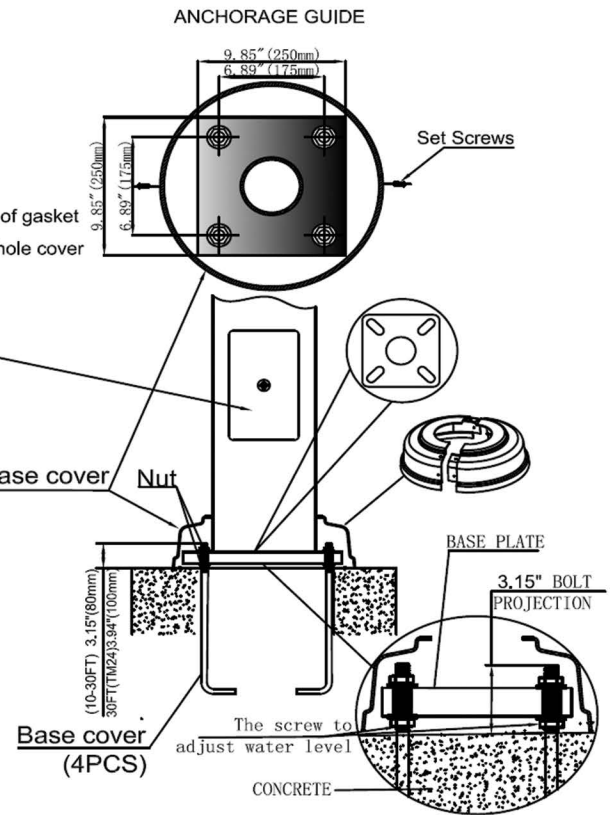
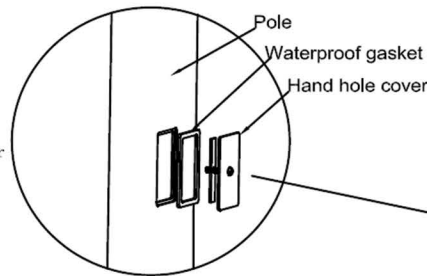
2. Install 4 screws onto the stick and adjust to same water level, then place the square plate and screw tightly. Install the cover at the bottom of pole. (as shown in the figure)

Foundation reference specification



Reference design of Concrete size		
Specifications	Ø	H
10-15FT	31.5"(800mm)	59.1"(1500mm)
20-25FT	35.4"(900mm)	70.9"(1800mm)
30FT	35.4"(900mm)	82.7"(2100mm)

3"X5" HAND HOLE COVER



Foundation Design: We offer Foundation design references due to variations in soil structure across different areas, and we do not assume any responsibility for this variability.

Ordering Guide

Specification	Height	Wall thickness	Shaft base	Weight (LBS)
DTH-R10FT3-11G-D	10 Ft	11 Gauge	3" dia	72
DTH-R15FT4-11G-D	15 Ft	11 Gauge	4" dia	95
DTH-R20FT4-11G-D	20 Ft	11 Gauge	4" dia	149
DTH-R25FT4-11G-D	25 Ft	11 Gauge	4" dia	176
DTH-R30FT5-11G-D	30 Ft	11 Gauge	5" dia	242