



## STANDARD



The CLL-MPAL series is a group of premium architectural LED area lights designed to illuminate parking areas, pathways, building facades, loading docks, and a wide variety of other large, general site lighting applications. Multiple mounting options make the MPAL a versatile light for flood lighting, pole, ground and wall-mounted area lighting and other outdoor lighting requirements.

## FEATURES

- \* Available in 3000k, 4000K & 5000k color temperatures
- \* Long-life LEDs provide 30,000 hours of operation with at least 70% of initial lumen output (L70)
- \* Standard optic provides a 60 x 120 degree beam angle
- \* Samsung LED chips
- \* Premium CLL driver
- \* 0-10V dimmable
- \* Universal 120-277 AC voltage (50-60Hz) is standard
- \* Power factor > 0.90
- \* Total harmonic distortion < 20%
- \* -30 F to + 45 F operating temperature
- \* Color rendering index > 80

## MOUNTING OPTIONS

\* Aluminum die-cast knuckle-mount option for installation on a junction box. Includes 1/2" NPS stem with locking nut

## ORDERING INFORMATION

PART #	Color Temp	Lumens	Lumen /watt	Watt	Mounting Options	Options (order separately)
CLL-MPAL-15W-3K	3000K	2,100	140	15	K: Knuckle Mount	Spike Mount: DTH-LNDSL-BS Slip fitter to 1/2" adapter: LF-AD-KNU Canopy Mount: DTH-LNDSL-CNY-KIT
CLL-MPAL-15W-4K	4000K	2,100	140	15		
CLL-MPAL-15W-5K	5000K	2,100	140	15		
CLL-MPAL-30W-3K	3000K	4,700	140	30		
CLL-MPAL-30W-4K	4000K	4,700	140	30		
CLL-MPAL-30W-5K	5000K	4,700	140	30		
CLL-MPAL-50W-3K	3000K	7,000	140	50		
CLL-MPAL-50W-4K	4000K	7,000	140	50		
CLL-MPAL-50W-5K	5000K	7,000	140	50		



15W

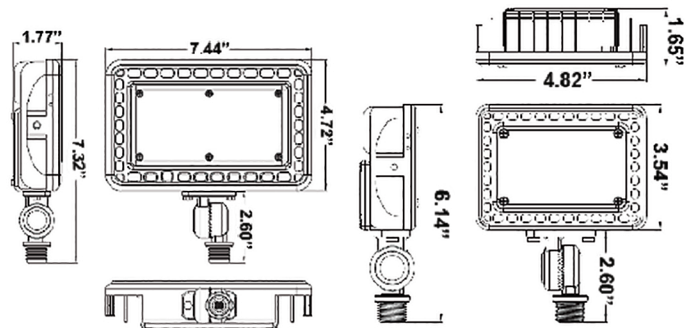


30W and 50W

## WARRANTY & DETAILS

- \* ETL listed
- \* IP65 wet location rated
- \* Complies with ROHS requirements
- \* 5-year warranty on all electronics and housing

## DIMENSIONS



30W and 50W

15W

## ACCESSORIES

- \* Optional spike-mount (DTH-LNDSL-BS) for ground mounting
- \* Optional canopy-mount (DTH-LNDSL-CNY-KIT) for attachment to flat surface. Enclosure is sealed with a water-tight, silicon rubber gasket