



STANDARD



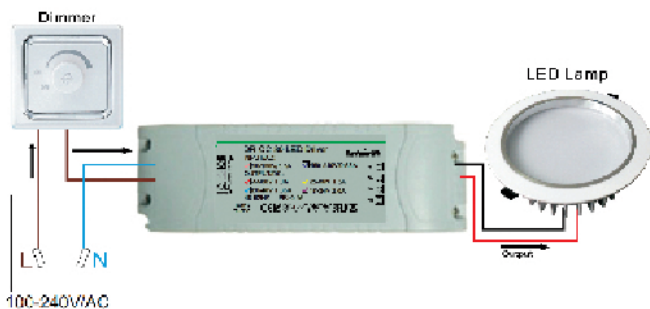
APPLICATIONS

These 40W and 80W versatile drivers for most high-performance triac dimming applications: These Class 2 drivers are designed to operate with any standard SELV TRIAC (forward phase) dimmer switch.

FEATURES

- * Selectable constant current and constant voltage output
- * Fully isolated, delivering 40W of power on the DR-VC-40 and 80W on the DR-CV-80 model
- * Up to 80% efficiency protection for short circuit, over current and over voltage
- * Fireproof environmental protection PC plastic cover
- * Voltage: 90-130 VAC & 180-240 VAC
- * Power factor: 0.95
- * On load voltage: 24V
- * Efficiency: >80%
- * Lighting angle: 101 degrees
- * Color rendering index > 80
- * Suitable for ambient temperatures from -4 F to 122 F

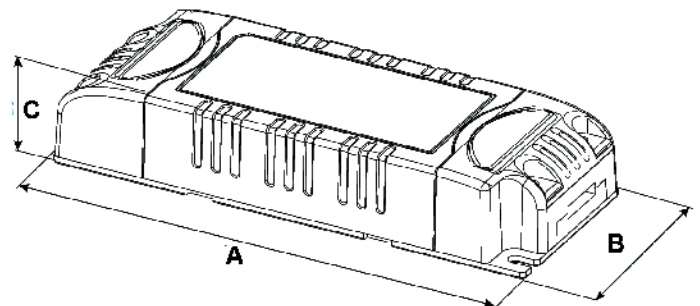
WIRING



WARRANTY & DETAILS

- * ETL listed
- * Complies with RoHS (Restriction on Hazardous Substances) requirement
- * Operating Temperature: -22F - 133F
- * 3-year warranty

DIMENSIONS



ORDERING INFORMATION

PART #	Wattage	Output Voltage	Dimensions	Voltage
DR-CV-40W	40W	24V	A: 5.23" ; B: 1.81" ; C: 0.95"	AC 90-130V & AC 180-240V
DR-CV-80W	80W	24V	A: 7.48" ; B: 2.55" ; C: 1.14"	AC 90-130V & AC 180-240V