



STANDARD



APPLICATIONS

This tube light series of LED T8 lamps replace conventional fluorescent lamps in existing fixtures and are all dual-ended bypass, which means they are hot on both ends. They offer significant energy-efficiency and lifetime improvements over fluorescent lamps, and require bypassing the existing fluorescent ballasts, and hard-wiring tombstone lamp-holders directly to incoming AC power leads. Dual-ended bypass lamps eliminate the need to replace shunted tombstone lamp holders in existing fluorescent fixtures.

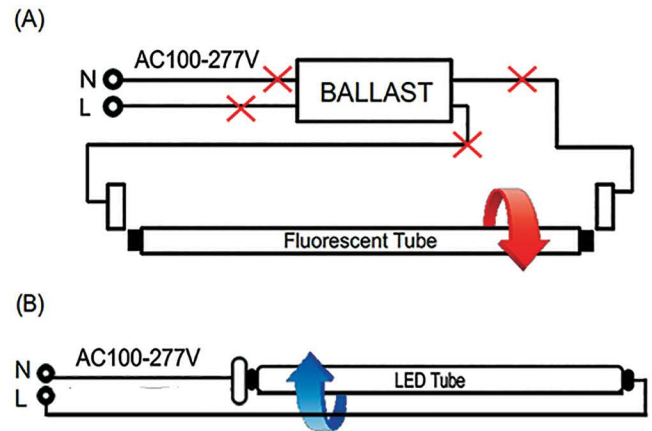
FEATURES

- * Color temperature : 4000K, 5000K, and 5700K available depending on model
- * Long-life LEDs provide 50,000 hours of operation
- * Aluminum housing for improved heat dissipation
- * Universal 120-277 AC voltage (50-60Hz) is standard
- * Suitable for dry location only
- * Power factor > 0.90
- * Beam Angle: 120 degrees
- * Color rendering index > 80
- * Easy installation in new construction or retrofit
- * Working temperature: -4 F +122 F
- * Ballast Bypass double ended wiring

WARRANTY & DETAILS

- * ETL Listed
- * DLC Listed
- * Complies with FCC Part 15, Class A
- * Complies with RoHS (Restriction on Hazardous Substances) requirements
- * 5-year warranty on all electronics and housing

RETROFIT PROCEDURE



ORDERING INFORMATION

PART #	Color Temp	Lumens	Lens	Lumen/watt	Wattage	Pin/ base option	Operation	Length	Voltage
CLL-T8LO-4FTB-18-5K-F	5000K	1,980	Frosted	110	18	Double pin	Double ended power Ballast bypass	4ft	AC 100-277V
CLL-T8LO-4FTB-18-5K-C	5000K	1,980	Clear	110	18	Double pin		4ft	AC 100-277V
CLL-T8LO-4FTB-18-4K-F	4000K	1,980	Frosted	110	18	Double pin		4ft	AC 100-277V
CLL-T8LO-4FTB-18H-5.7K-C	5700K	2,340	Clear	130	18	Double pin		4ft	AC 100-277V
CLL-T8LO-8FTB-40(FA8)-5K-F	5000K	4,400	Frosted	110	40	Single pin	Double ended power Ballast bypass	8ft	AC 100-277V
CLL-T8LO-8FTB-40(FA8)-5K-C	5000K	4,400	Clear	110	40	Single pin		8ft	AC 100-277V
CLL-T8LO-8FTB-40(FA8)-5.7K-C	5700K	6,000	Clear	150	40	Single pin		8ft	AC 100-277V
CLL-T8LO-8FTB-40(R17D)-5K-F	5000K	5,200	Frosted	130	40	R17D oval		8ft	AC 100-277V