



## STANDARD



### APPLICATIONS

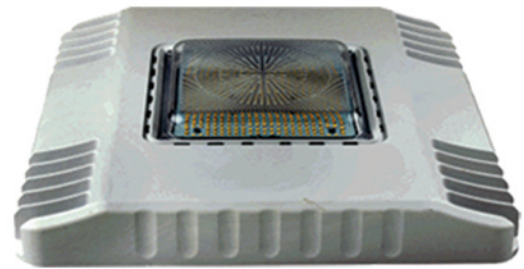
The Gas Station Canopy LED series has a beautiful low profile design intended for gas stations and other commercial applications. Ideal for surface mount to hard ceiling or pendant mount from 3/4 NPT conduit. High-performance illumination rated for a minimum of 50,000 hours. It is ideal for replacing a 400W metal halide.

### FEATURES

- Standard in 5000K
- 100-277V AC input voltage (50-60Hz)
- 19,500 lumens
- Philips Lumileds LED chips
- Premium Mean Well driver
- Die cast aluminum housing with durable white powder coat finish with at least 2 mils thick on all surfaces and a heat resistant polycarbonate lens
- Power factor > 0.90
- Total harmonic distortion <20%
- Color rendering Index >80
- Easy installation in new construction or retrofit

### ORDERING INFORMATION

MODEL	Color Temp	Lumens	Lumen/watt	Wattage	Dimensions			
					A	B	3.35"	
DTH-CNPYSQ-150W	5000K	19,500	130	150	A	14.96"	B	3.35"



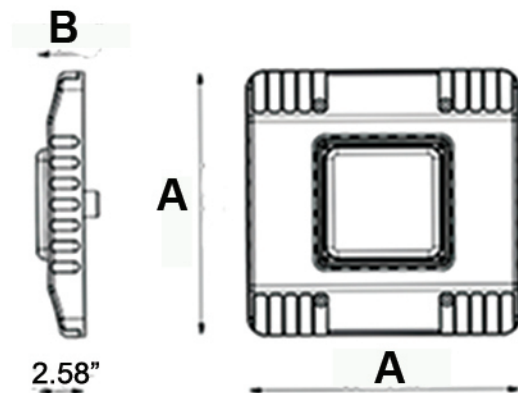
### WARRANTY & DETAILS

- UL listed
- DLC Listed
- IP65 "wet location" rated
- 5 Yr warranty on all electronics and housing

### MOUNTING OPTIONS & DIMENSIONS



Conduit Pipe Mount



Standard with support ceiling mount and conduit pipe mount.

Part No	DTH-CNPYSQ-150W
LED Type	Philipps Lumiled
Lumens per watt	130 LU/W
lumens	19,500 LU
CCT	5000K
Input Voltage	120-277V
Power Frequency	50-60 Hz

CRI	> 80 Ra
Power factor	> 0.90
Total Harmonic Distortion	< 20%
Material	Die Cast Aluminum
Operating Temperature	-40°F to 113°F
Life Span	>50,000 Hrs
Ingress protection	IP 65

## PHOTOMETRIC DATA

Luminous Intensity Distribution Curve

