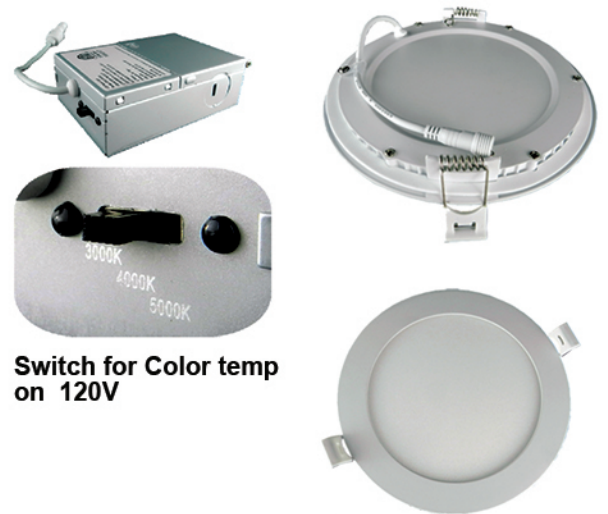


CLL-FRP6-CCT

THIN WAFER RECESSED LED DOWNLIGHT



STANDARD



Switch for Color temp on 120V

APPLICATIONS

The ultra thin recessed wafer downlight is perfect for both new construction and remodel applications. These lights are IC rated and Air Tight which means they do not require can housing and their thin design makes them ideal for working around ceilings joints in recessed applications where space is limited. The FRP6" is 3 Kelvin selectable (3K, 4K, 5K) and accepts 120V input and is triac dimmable.

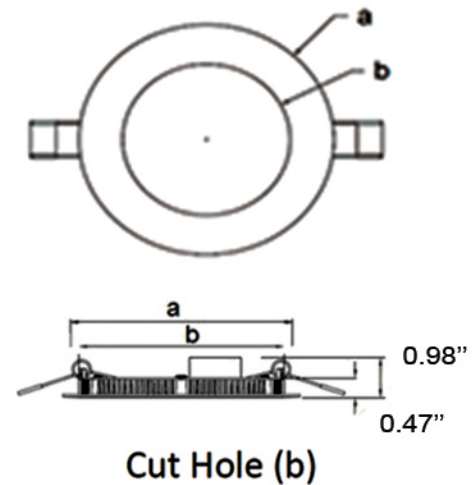
FEATURES

- Type IC Rated: No Housing Required
- Air Tight: Suitable for Damp Locations
- Junction Box Complies to ETL Safety Standard
- High Lumens Output
- Triac dimmable - compatible dimmers: Lutron, Legrand, Leviton
- Applications: Recessed
- Color Temperature: 3000K / 4000K / 5000K adjustable
- CRI: >80
- Beam Angel: 24° / 38°
- Power Factor: 0.9
- Lifetime: 50,000 hours
- Protection: Surge protection, short circuit
- Led Type: SMD2835 with LM -80
- Working temperature: -4 F to 140F

WARRANTY / LISTING

- ETL Listed for damp locations in US & Canada (new construction & retrofit)
- Energy Star certified
- Passes FCC Class A
- Five year warranty

DIMENSIONS



Cut Hole (b)

Outer Dia (a) 170 mm - 6.7"
Cut Hole (b) 150 mm - 5.9"

PART #	KELVIN	LUMENS	ENERGY USED	HALOGEN EQUIVALENT
CLL-FRP6-CCT	3000,4000,5000	1000	15W	120W

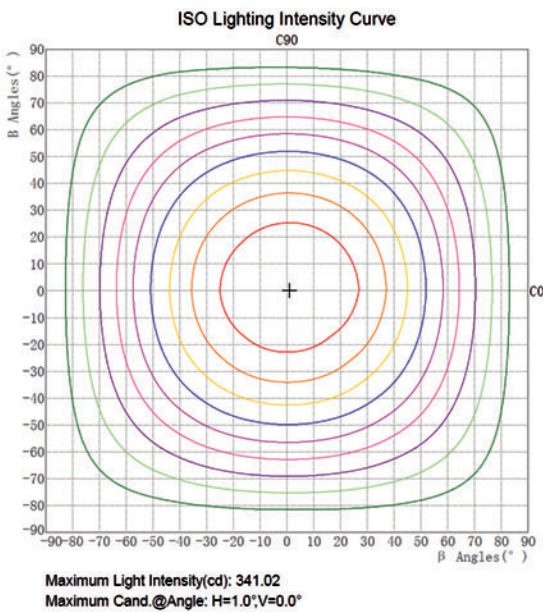
CLL-FRP6-CCT

THIN WAFER RECESSED LED DOWNLIGHT

Part No	CLL-FRP6-3CCT
LED Type	SMD 2835
Luminous flux	67 LM /W
Luminous flux	1000 LM
CCT	3000K, 4000K, 5000K
Beam Angle	24° / 38°
CRI	> 80 Ra
Input Voltage	AC 90-130 V
Power Frequency	50 / 60 Hz

Power factor	> 0.90
Total Harmonic Distortion	< 20%
System Power Consumption	15 W
Ingress Protection	IP 20
Life Span	>50,000 Hrs
Operating Temperature	-4°F to 140°F

PHOTOMETRIC DATA



- Curves:
[Unit: cd]
[IMax] =341.020
- [IMax*90%]=306.918
 - [IMax*80%]=272.816
 - [IMax*70%]=238.714
 - [IMax*60%]=204.612
 - [IMax*50%]=170.510
 - [IMax*40%]=136.408
 - [IMax*30%]=102.306
 - [IMax*20%]=68.204
 - [IMax*10%]=34.102

