

LEGACY AREA LIGHT 150W 4K and HV



Certified LED Lights®

STANDARD



The LegacyArea light is a group of premium architectural LED lights designed to illuminate parking areas, pathways, building facades, loading docks and a wide variety of other large general site lighting applications. Multiple mounting options make the 150W Legacy Area Light a versatile light for flood lighting, pole, ground and wall mounted area lighting and other outdoor lighting requirements.

FEATURES

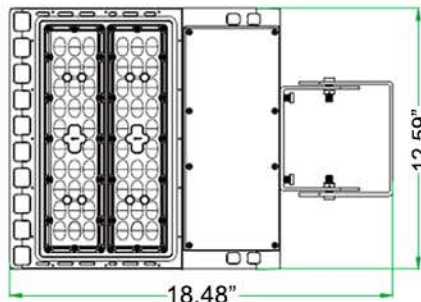
- 4000K only
- 100-277V AC input voltage providing long-life LEDs with 50,000 hours of operation ($T_a=86\text{ F @LM70}$).
- Optional 480 V AC input voltage in 5000K available
- 22,500 lumens.
- Philips Lumileds LED chips
- Premium SOSEN driver.
- Die cast aluminum housing with durable dark bronze powder coat finish with at least 2 mils thick on all surfaces and a heat resistant polycarbonate lens.

WARRANTY & LISTING

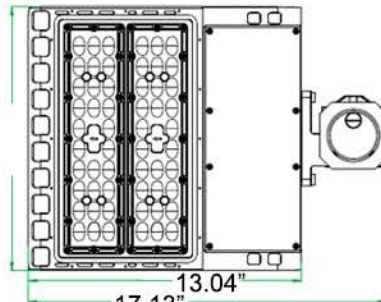
- ETL.
- DLC Listed.
- IP65 "wet Locations" rated.
- Flicker free per IEEE 1789-2015 (no observable adverse effects of flicker at 100% light output level).
- 5-year warranty on all electronics and housing.
- Power factor > 0.90.
- Universal 100-277 AC voltage (50-60 Hz). 200-480V optional
- Total harmonic distortion <20%.
- Color rendering Index >80.
- Optional full and half glare shields are available.
- Optional Dusk to Dawn sensor.
- Easy installation in new construction or retrofit.
- Wireway enclosure is sealed with a water-tight, silicon rubber gasket
- 0-10 Dimmable. Dims down to 10%

MOUNTING OPTIONS & DIMENSIONS

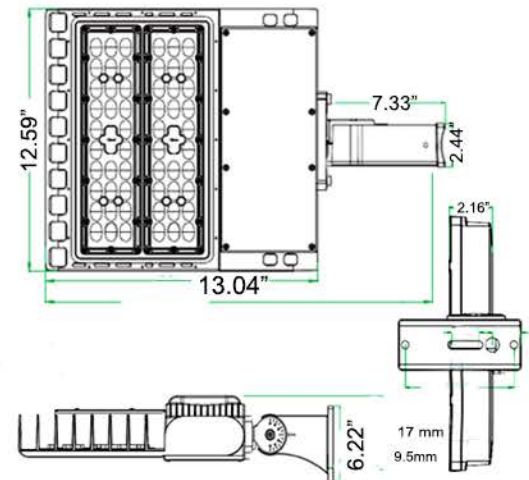
- Trunion and Slip-fitter mounting accessories are adjustable up to 90 degrees in both directions.



Trunion Mount (TR)



Slip-Fitter Mount (SF)



Ajustable Direct Mount (DMT)

ORDERING INFORMATION

PART #	Color Temp	Mounting options	
CLL-LGCY-150W	4K = 4000K	TR Trunion Mount	Blank: 100V-277V HV: 200V-480V (5K only)
CLL-LGCY-150W-HV	5K = 5000K	DMT ADJ Direct Mount	
		SF Split-Fitter Mount	

Specifications and dimensions subject to change without notice

www.certifiedledlight.com (800)373-2110
13375 N. Stemmons Frwy, Ste 300, Farmers Branch TX 75214

CLL-LGCY-150W
Rev May 22, 2020

LEGACY AREA LIGHT 150W

Part No	CLL-LGCY-150W
LED Type	PHILIPS LUMILEDS
LED QTY	224 PCS
Luminous flux	150 LM /W (CCT=5000k) 5%
Luminous flux	22,500 LM (CCT=5000K) 5%
CCT	5000K or 4K in 100-277V
Beam Angle	TYPE III/90 X 120
CRI	> 80 Ra
System Efficiency	> 90
Power Supply	SOSEN
Input Voltage	AC 100-277 V or 200-480V in 5K
Power Frequency	50 / 60 Hz
Output Voltage	Dc 28.8-48V
Output Current	1.92-3.2A (Constant Current)
Power Efficiency	> 90%

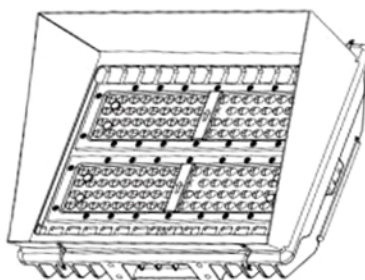
Power factor	> 0.90
Total Harmonic Distortion	< 15%
System Power Consumption	150 W ± 5 W
LED Power Consumption	140 W ± 5 W
Fixture Material	ADC12 Aluminum alloy
Ingress Protection	IP 65
Net Weight	10.56 Lbs ± 1.1 Lbs
Gross Weight	12.32 Lbs ± 1.1 Lbs
Life Span	>50,000 Hrs (Ta=86°F@LM 70)
Junction temperature	< 167° F (Ta=86°F)
Storage Temperature	(-40° F ~ + 158° F)
Operating Temperature	(-22° F ~ +122° F)
Operating Humidity	15 – 90 % RH
Outlook Dimensions	L 17.12" * W 12.59" * H 3.74"
Carton Size	L 22.4" * W 14.5" * H 5.7"

ACCESSORIES

Shields

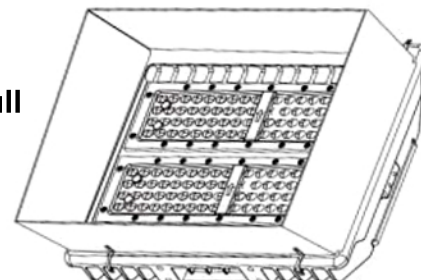
Half

CLL-LGCY-SM-HGS



Full

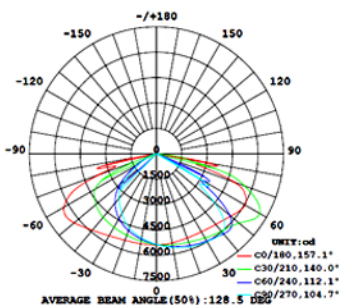
CLL-LGCY-SM-FGS



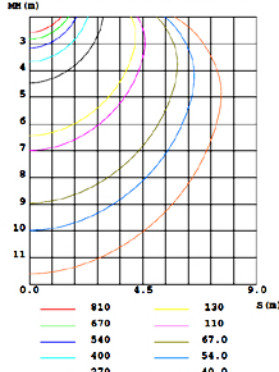
PHOTOMETRIC DATA

150W - 22,500 LUMENS

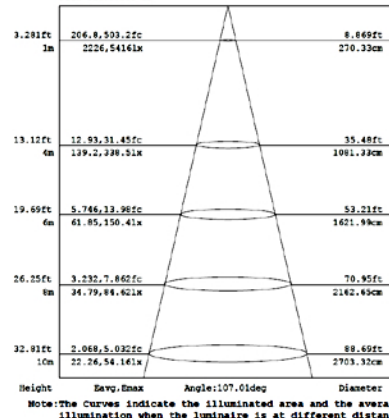
LUMINOUS INTENSITY DISTRIBUTION DIAGRAM



CO PLANE ISOLUX DIAGRAM (UNIT:lx)



Flux out:13251 lm



Specifications and dimensions subject to change without notice

www.certifiedledlight.com (800)373-2110
 13375 N. Stemmons Frwy, Ste 300, Farmers Branch TX 75214

CLL-LGCY-150W
 Rev May 22, 2020